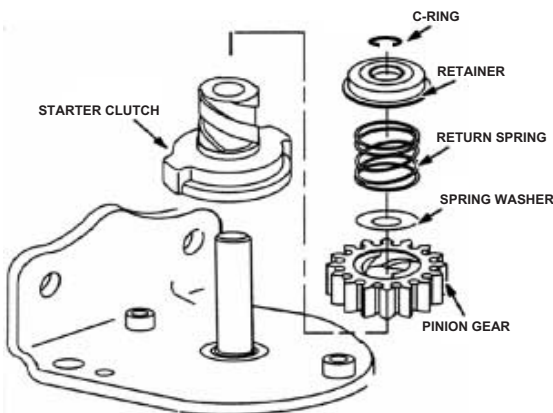




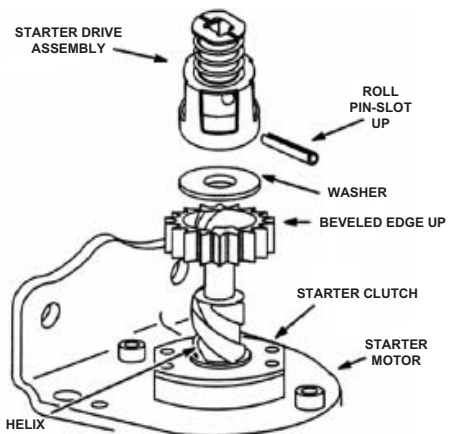
Electric Starter Quick Reference Guide for engines built after 1976.

Please Note: When Possible Always Use Micro Fiche To Look Up Any Briggs & Stratton Parts

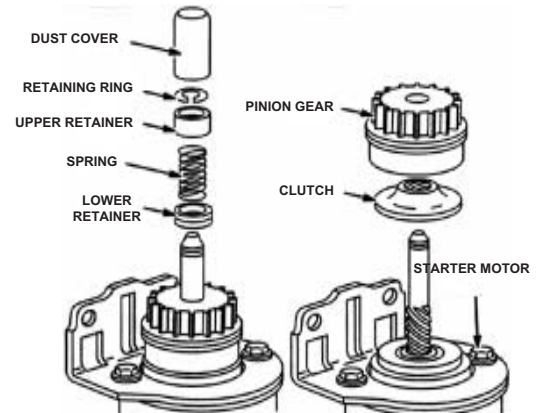
| Engine Model | Starter Assembly# | Starter Gear Only# | Drive Assy. # (Bendix) |
|--------------------------------------|--|-----------------------------------|-----------------------------------|
| Single Cylinder Engines | | | |
| 190400-196499 | 497595 | 693059 | 497606 (C Ring Type) |
| 190700-195799 | | | 495878 (Roll Pin Type) |
| 252700-252799 | | | |
| 253700-253799 | | | |
| 198700-198799 | 693054 | 693059 | 497606 (C Ring Type) |
| 19E400-19E499 | | | 495878 (Roll Pin Type) |
| 19F400-19F499 | | | |
| 19G400-19G499 | | | |
| 19K400-19K499 | | | |
| 280700-289799 | 497595 (Plastic Ring Gear) | 693058 (Plastic Ring Gear) | 497606 (C Ring Type) |
| 28A700-28W799 | 693054 (Alum. Ring Gear) | 693059 (Alum. Ring Gear) | 495878 (Roll Pin Type) |
| | 693551 (Steel Ring Gear) | 693699 (Steel Ring Gear) | 693713 (Steel Ring Gear) |
| | 497401 (Plastic Ring Gear / Starter Housing is Over 4" in Length) | | |
| | 499521 (Alum. Ring Gear / Starter Housing is Over 4" in Length) | | |
| Single Cylinder Intek Engines | | | |
| 310700-310799 | 497595 (Plastic Ring Gear) | 693058 (Plastic Ring Gear) | 497606 (C Ring Type) |
| 311700-311799 | 693054 (Alum. Ring Gear) | 693059 (Alum. Ring Gear) | |
| 312700-312799 | 693551 (Steel Ring Gear) | 693699 (Steel Ring Gear) | 693713 (Steel Ring Gear) |
| Opposed Twin Cylinder Engines | | | |
| 400400-422499 | 497596 | 693059 | 497606 (C Ring Type) |
| 400700-422799 | | | 495878 (Roll Pin Type) |
| 40A700-42A799 | | | |
| 460700-460799 | | | |
| V-Twin Vanguard Engines | | | |
| 303400-303499 | 499521 | 693059 | 497606 (C Ring Type) |
| 354400-354499 | 691564 (Steel Pinion Gear) | N/A (Steel Pinion Gear) | 496881 (Steel Pinion Gear) |
| 350700-350799 | | | |
| 380400-380499 | | | |
| 380700-380799 | | | |
| 303700-303799 | 499521 | 693059 | 497606 (C Ring Type) |
| 304400-304499 | 691564 (Steel Pinion Gear) | N/A (Steel Pinion Gear) | 496881 (Steel Pinion Gear) |
| 350400-350499 | | | |
| 351400-351499 | | | |
| 351700-351799 | | | |
| 381400-381499 | 691564 (Steel Pinion Gear) | N/A (Steel Pinion Gear) | 496881 (Steel Pinion Gear) |
| 381700-381799 | | | |
| V-Twin Intek Engines | | | |
| 405700-405799 | 691262 | 693058 | 497606 |
| 406700-406799 | | | |
| 407700-407799 | 445700-445799 | | |



M0300025 C-Ring Type



Roll Pin Type



Steel Ring Gear