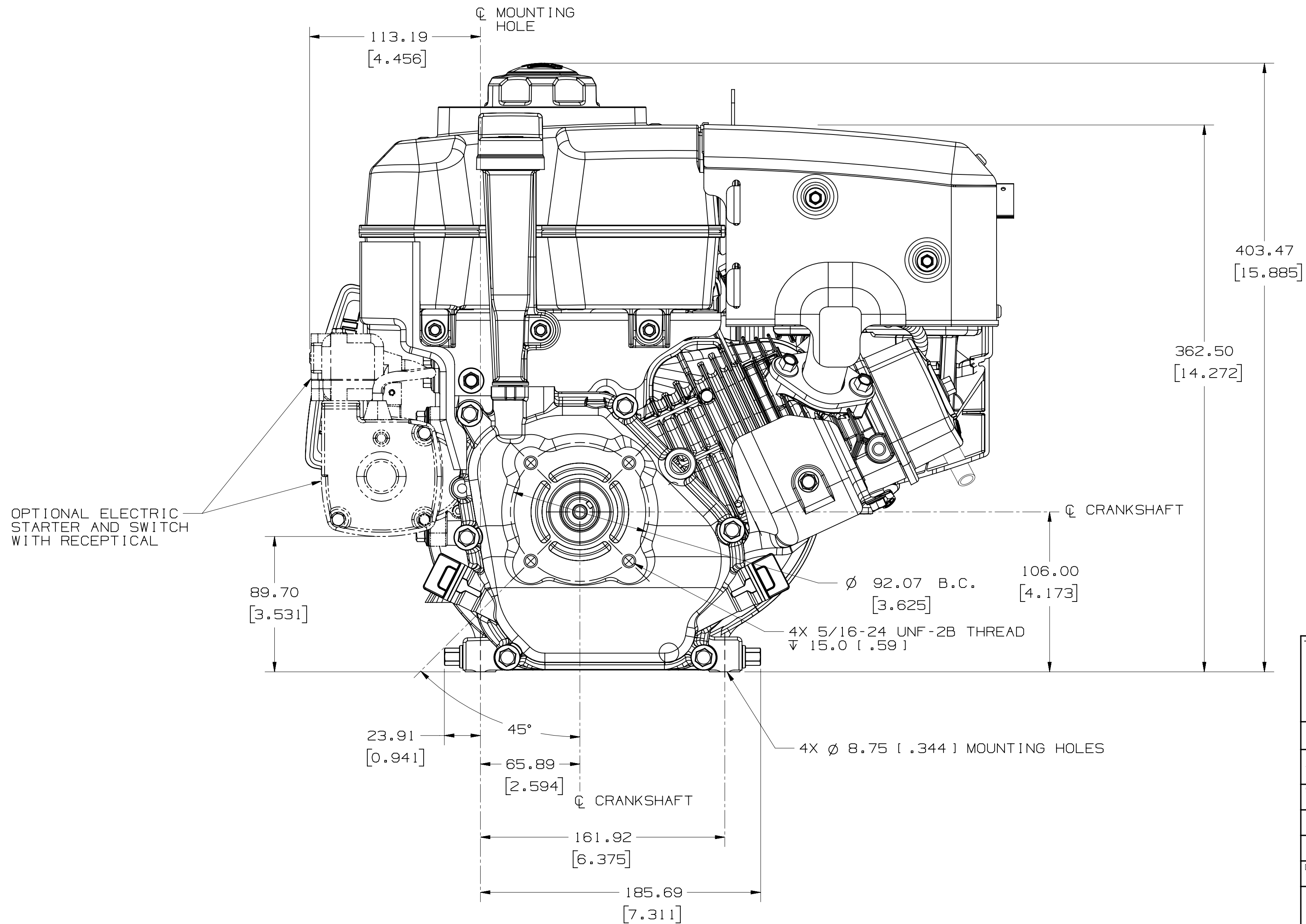


REV	DESCRIPTION	ZONE	BY	DATE	PCR/WO
-	-	-	-	-	2008-2894
A	ADDED RECOIL COVER	B-2,2	A.FREUND	10/12/2009	2009-1679



TOLERANCE	UNLESS OTHERWISE SPECIFIED
0.XXX	= ± 0.1
0.XX	= ± 0.2
0.X	= ± 0.5
0.	= ± 1.5

SURFACE FINISH IN MICRO METERS MAX

ANGLES ± 1/2°

√ RA

THIRD ANGLE PROJECTION

GEOMETRIC DIMENSIONING AND TOLERANCING PER ASME Y14.5M - 1994

SCALE 1:2 METRIC - MILLIMETERS

PROTOTYPE APPROVED BY DATE

APPROVED BY DWG COMPLETION DATE 03/10/2009

DESIGNED BY A.FREUND CHECKED BY

KOHLER.
ENGINE DIVISION, KOHLER CO.
KOHLER, WISCONSIN 53044 U.S.A.

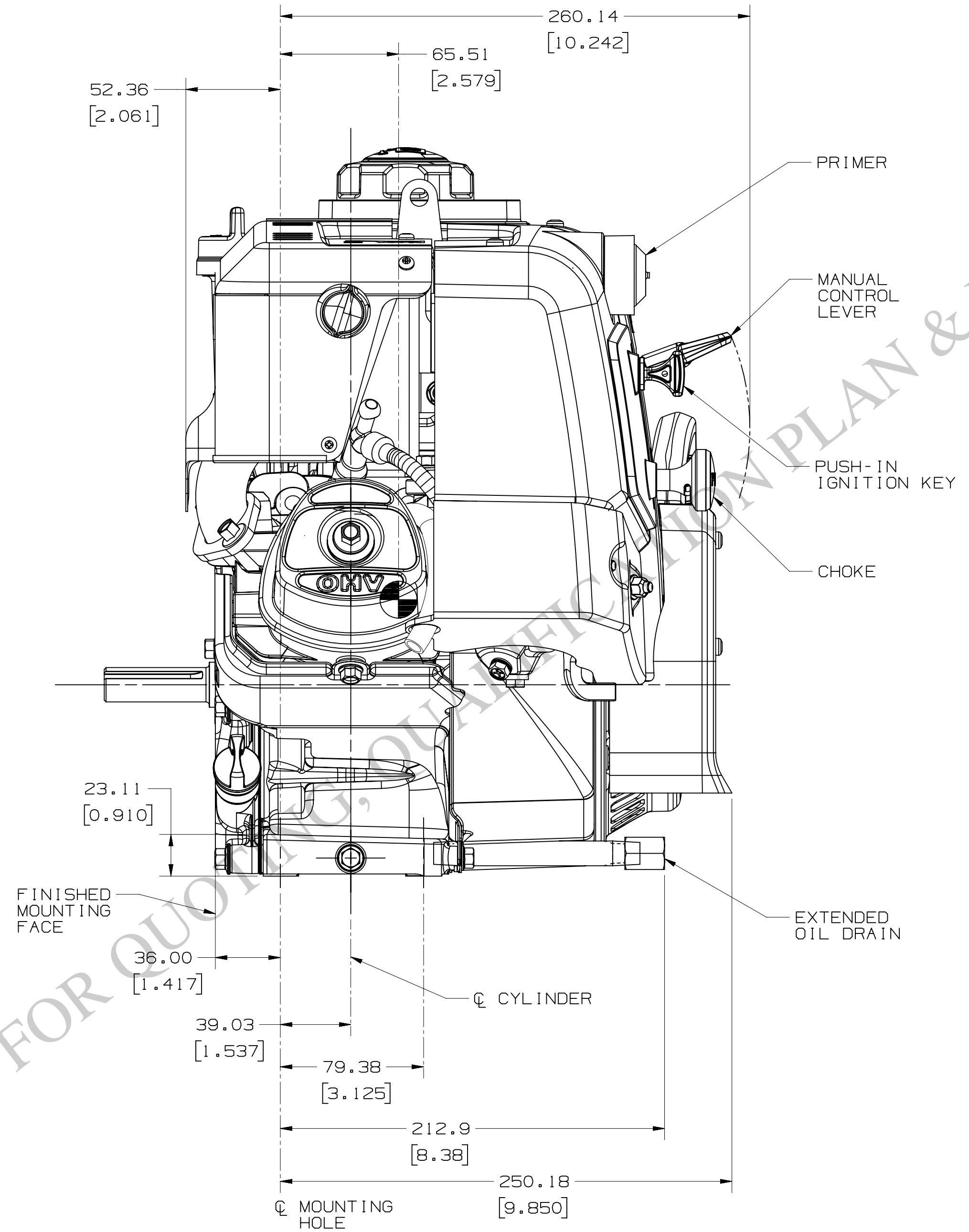
THIS CONFIDENTIAL INFORMATION IS THE EXCLUSIVE PROPERTY OF THE KOHLER CO. AND ANY USE, DUPLICATION, OR TRANSMITTAL TO OTHERS WITHOUT WRITTEN PERMISSION FROM THE KOHLER CO. IS PROHIBITED. ALL RIGHTS OF DESIGN OR INVENTION ARE RESERVED.

DESCRIPTION WH208 ENGINE OUTLINE

NUMBER AID17-0003

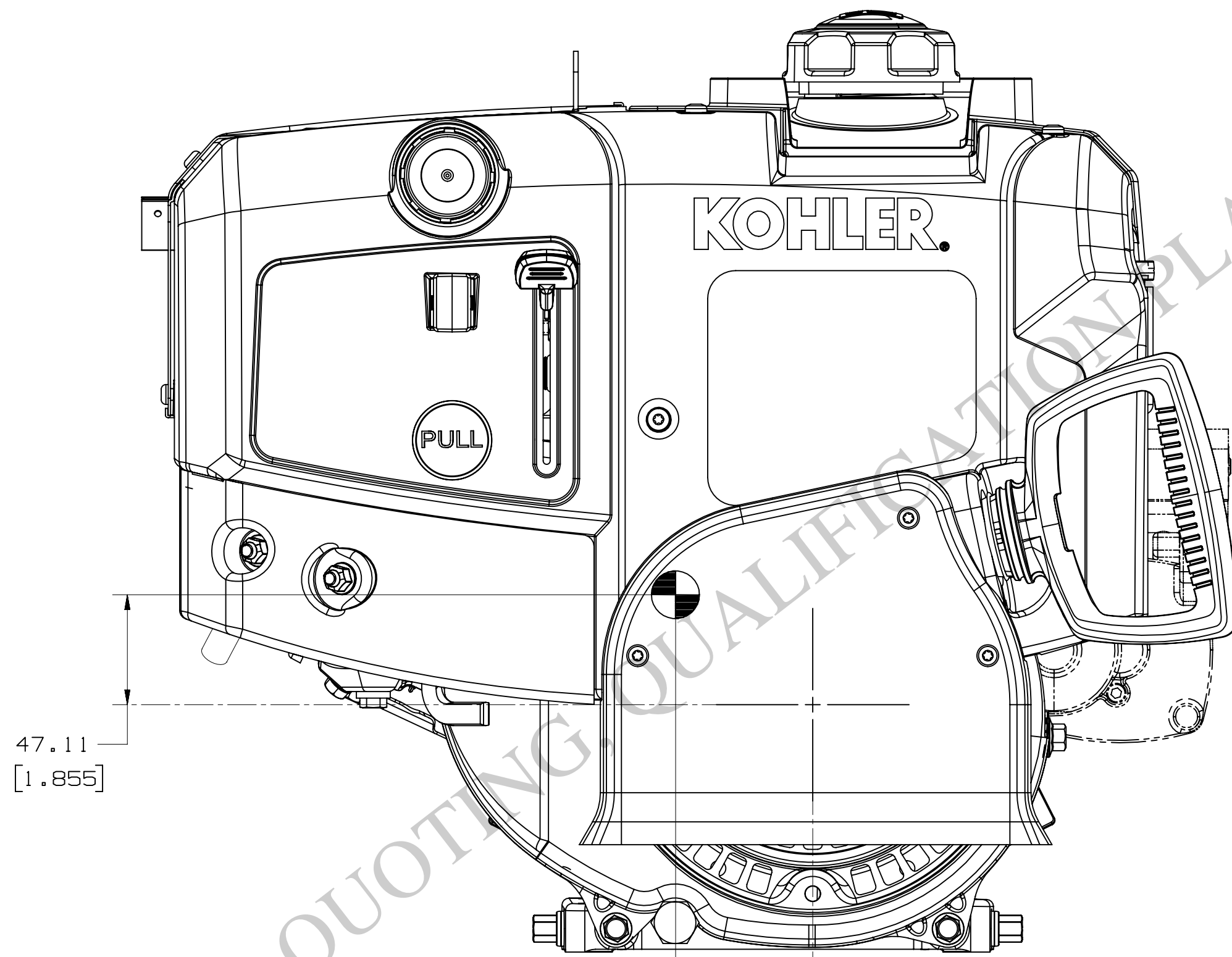
SHEET 1 OF 4

PTO VIEW



VALVE COVER VIEW

ALL REVISIONS ARE RECORDED ON SHEET 1	
TOLERANCE	UNLESS OTHERWISE SPECIFIED
0.XXX	= ± 0.1
0.XX	= ± 0.2
0.X	= ± 0.5
0.	= ± 1.5
ANGLES	± 1/2°
	SURFACE FINISH IN MICRO METERS MAX √ RA
THIRD ANGLE PROJECTION	
GEOMETRIC DIMENSIONING AND TOLERANCING PER ASME Y14.5M - 1994	
SCALE	METRIC - MILLIMETERS
1:2	
DESIGNED BY	A.FREUND
KOHLER.	
ENGINE DIVISION, KOHLER CO. KOHLER, WISCONSIN 53044 U.S.A.	
THIS CONFIDENTIAL INFORMATION IS THE EXCLUSIVE PROPERTY OF THE KOHLER CO. AND ANY USE, DUPLICATION, OR TRANSMITTAL TO OTHERS WITHOUT WRITTEN PERMISSION FROM THE KOHLER CO. IS PROHIBITED. ALL RIGHTS OF DESIGN OR INVENTION ARE RESERVED.	
DESCRIPTION	WH208 ENGINE OUTLINE
NUMBER	AID17-0003



FRONT VIEW

ALL REVISIONS ARE RECORDED ON SHEET 1	
TOLERANCE	UNLESS OTHERWISE SPECIFIED
0.XXX	= ± 0.1
0.XX	= ± 0.2
0.X	= ± 0.5
0.	= ± 1.5
ANGLES	± 1/2°
	SURFACE FINISH IN MICRO METERS MAX √ RA
THIRD ANGLE PROJECTION	
GEOMETRIC DIMENSIONING AND TOLERANCING PER ASME Y14.5M - 1994	
SCALE	METRIC - MILLIMETERS
1:2	
DESIGNED BY	A.FREUND
KOHLER. ENGINE DIVISION, KOHLER CO. KOHLER, WISCONSIN 53044 U.S.A.	
THIS CONFIDENTIAL INFORMATION IS THE EXCLUSIVE PROPERTY OF THE KOHLER CO. AND ANY USE, DUPLICATION, OR TRANSMITTAL TO OTHERS WITHOUT WRITTEN PERMISSION FROM THE KOHLER CO. IS PROHIBITED. ALL RIGHTS OF DESIGN OR INVENTION ARE RESERVED.	
DESCRIPTION	WH208 ENGINE OUTLINE
NUMBER	AID17-0003