

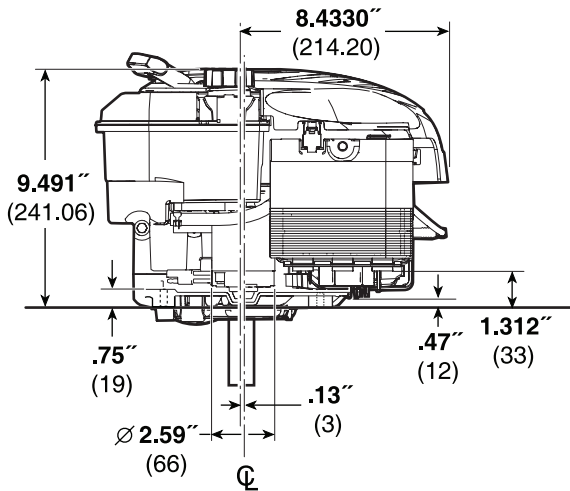
6.75 Gross Torque 190 CC

Bore 2.69 in. (68.3 mm)
Stroke 2.04 in. (51.8 mm)
Oil Capacity 18-20 fl. oz. (0.53 - 0.59 L)



Features:

- Large rewind starter reduces pulling effort for easy starts
- Maintenance-free Magnetron® electronic ignition for quick, dependable starts
- Mechanical compression release for smooth, quick starting
- Maxi-Clean™ automotive-type pleated paper air filter provides superior protection for long engine life
- Mechanical torque control for additional power
- Composite camshaft and aluminized Lo-Tone muffler for low noise operation
- One-Start™ float carburetor assures consistent one-pull starts
- Buyer protection package provides two-year consumer engine warranty



MUFFLER GUARD
WHEN REQUIRED

