

# 1000 Professional Series™

## 223 CC

Bore 2.91 in. (73.91 mm)

Stroke 2.04 in. (51.82 mm)

Oil Capacity 20 fl. oz. (0.59 L)

### FEATURES:

ReadyStart® starting system with no prime, no choke, no worries, just pull for power

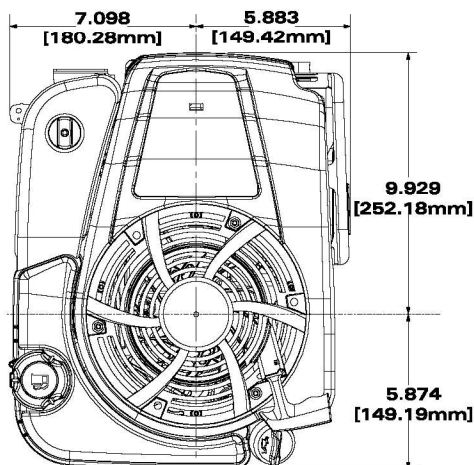
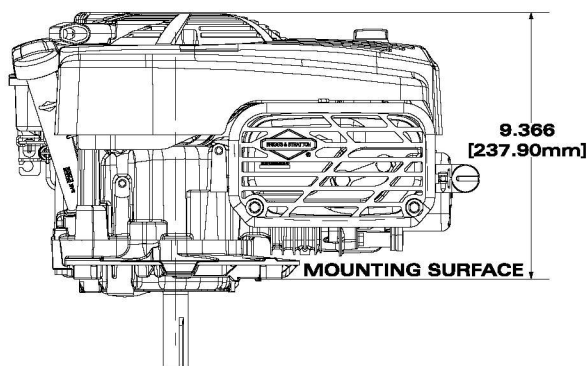
Dual-sealing air cleaner for improved debris resistance and longer life

Acoustically-engineered muffler for quiet operation and excellent tonal quality

Less vibration for more user comfort and enhanced engine life

Mechanical Governor

**Buyer protection package provides two-year limited consumer engine warranty**



\*All Power levels are stated gross torque at 2600 RPM per SAE J1940 as rated by [briggsandstratton.com](http://briggsandstratton.com)

MTT	Crankshaft #	P.T.O. Diameter	Drilled & Tapped	Keyway	Length	Starter Position	Heavy Flywheel	Controls	5 Position Choke	Primer	ReadyStart®	Fuel Tank (Qt.)	Governed Speed	Alternator	CPSC Brake	Notes
14D932																
0115-F1	596424	25mm	7/16-20	3/16-Sq	3-5/32	5:30	Yes	FC			Yes	1.2	3400			P
14D937																
0101-G1	590489	1 in.	7/16-20	1/4-Sq.	3-5/32		Yes	R			Yes		3500	.5A,DC		1

(1) 12 Volt Gear Drive Starter