

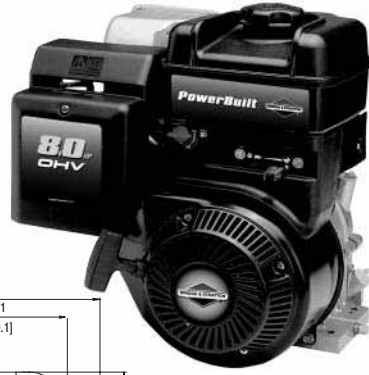
8 HP PowerBuilt™ OHV Model Series 201400

Displacement 18.6 cu. in. (305 cc)

Bore 3.12 in. (79 mm)

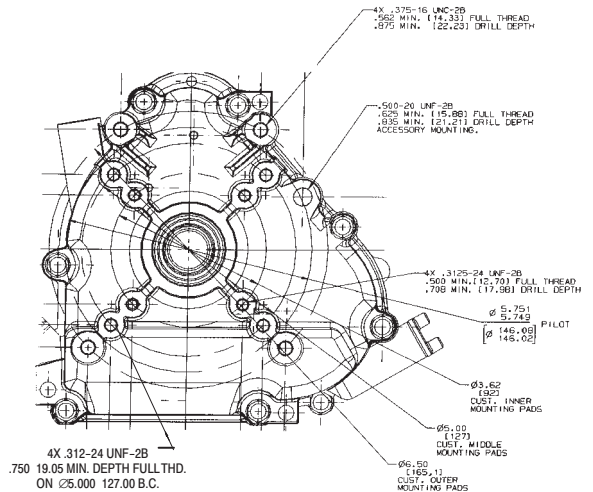
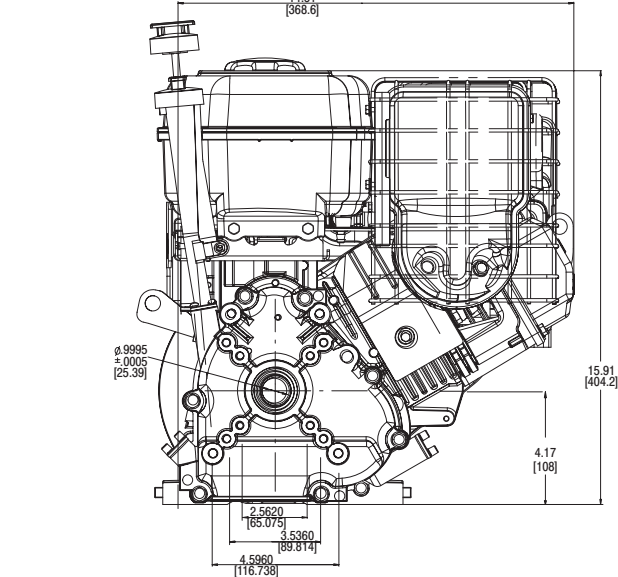
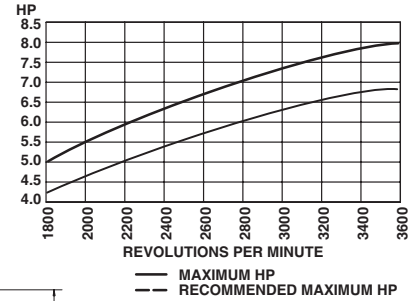
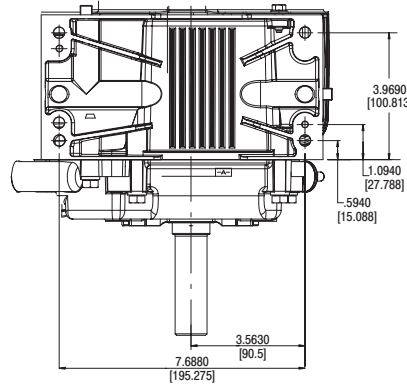
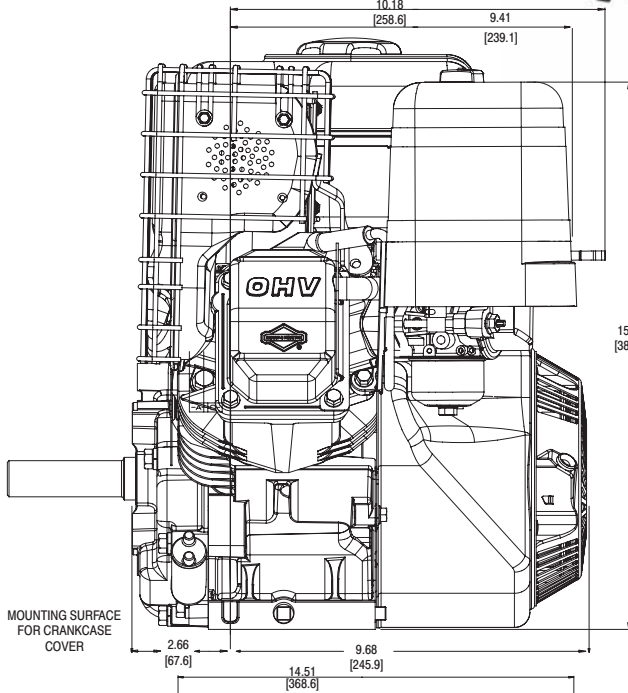
Stroke 2.43 in. (61 mm)

Oil Capacity 28 fl. oz. (0.82l)



Features:

- Aluminum alloy bore for cooler operation
- Lo-tone muffler for quiet operation
- Maintenance-free Magnetron® electronic ignition for quick, dependable starts
- Overhead valve design (OHV) for cooler operation and longer valve life
- Buyer protection package provides two-year consumer engine warranty
- Maxi-Clean™ automotive type pleated paper air filter superior protection for long engine life



To make the center line of crankshaft the same as 190000 Model Series, order 695154 spacer kit.

Model Type	Shipping Weight	Crankshaft	Crankshaft (P.T.O.) Extension	Dimension	Starter Position Bolt-On/Changeable	Governor	Controls	Flange Mtg.	Manual Choke	Rocker Stop Switch	Fuel Tank (Quarts)	Top Governor Speed	Notes
201432	61	695462	1" dia., Keyway, tapped 7/16-20	3-21/32(c)	10:30	M	AG/R/MF	X	X	X	4	3600	•

• Ball bearing PTO