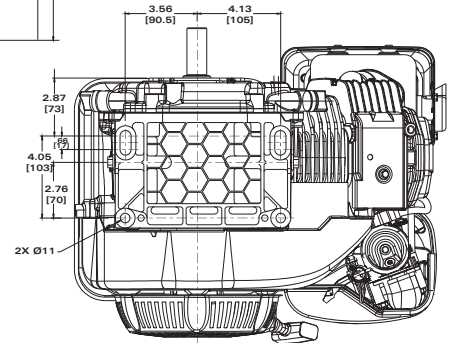
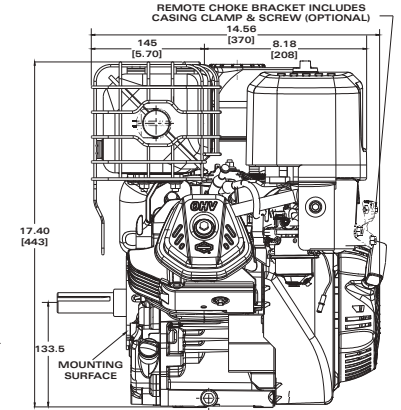
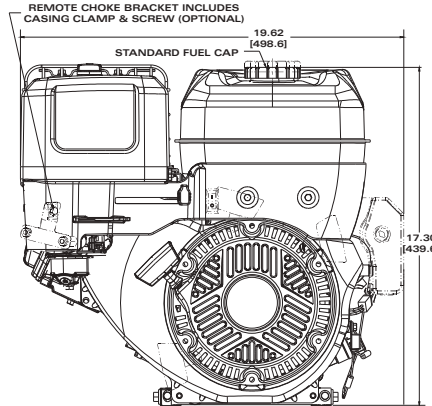


21.00 GROSS TORQUE*

420 CC

Bore 3.54 in. (66.00 mm)
Stroke 2.60 in. (61.90 mm)
Oil Capacity 37 fl. oz. (1.1 L)



FEATURES:

- Dura-Bore™ cast iron cylinder sleeve for extended life
- Dual ball bearing
- Dual-Clean™ air cleaner pleated paper filter with a foam pre-cleaner ensures maximum protection for extended engine life
- Overhead valve design (OHV) for cooler operation and longer valve life
- Mechanical Governor

Buyer protection package provides two-year limited consumer engine warranty**

| MTT | Crankshaft # | P.T.O. Diameter | Drilled & Tapped | Keyway | Length | Starter Position | Controls | Manual Choke | Flange Mtg. | Accessory Mtg. Boss | Ground Wire Terminal | Rocker Stop Switch | Key Stop Switch | Oil Guard | Fuel Tank (Quarts) | Top Governor Speed | Notes |
|----------------|---------------|-----------------|------------------|-----------------|----------------|------------------|-------------|--------------|-------------|---------------------|----------------------|--------------------|-----------------|-----------|--------------------|--------------------|-------------|
| 25T232 | | | | | | | | | | | | | | | | | |
| 0037-F1 | 590961 | 1 in. | 7/16-24 | 1/4-Str. | 3-31/64 | 10:00 | MF/R | X | | | X | | | X | 6.9 | 3600 | 11 |
| 25T235 | | | | | | | | | | | | | | | | | |
| 0111-G2 | 797844 | JIS Taper | M10X25 | ---- | ---- | 2:00 | FC | X | X | | X | | | X | -- | 3750 | 2,11,14 |
| 25T237 | | | | | | | | | | | | | | | | | |
| 0045-F1 | 590961 | 1 in. | 7/16-24 | 1/4-Str. | 3-31/64 | 10:00 | MF/R | X | | | X | | | X | 6.9 | 3600 | 5,11 |

*All power levels are stated gross torque at 2600 RPM per SAE J1940 as rated by Briggs & Stratton.

- (2) Engine equipped with 12 Volt Gear Drive Starter
- (5) Engine equipped with 12 Volt Gear Drive Starter and 9 Amp DC Alternator
- (11) PTO Ball Bearing
- (14) Suppress Afterfire Solenoid

Engines in bold type have promotional pricing