

# Vanguard™ 21.0 Gross HP 627 CC

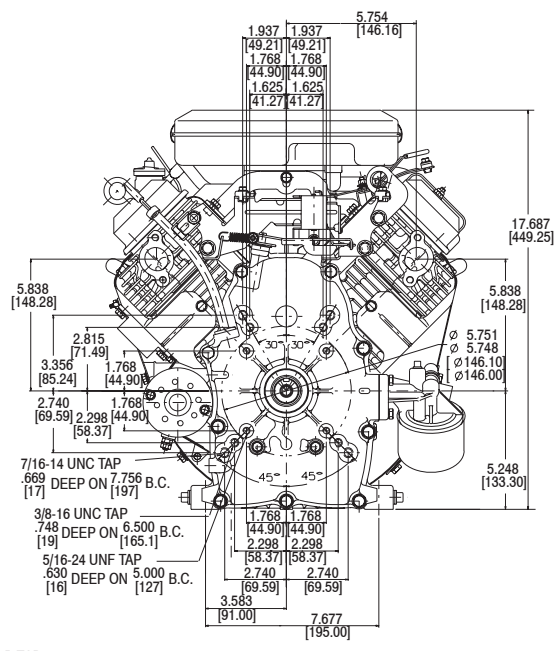
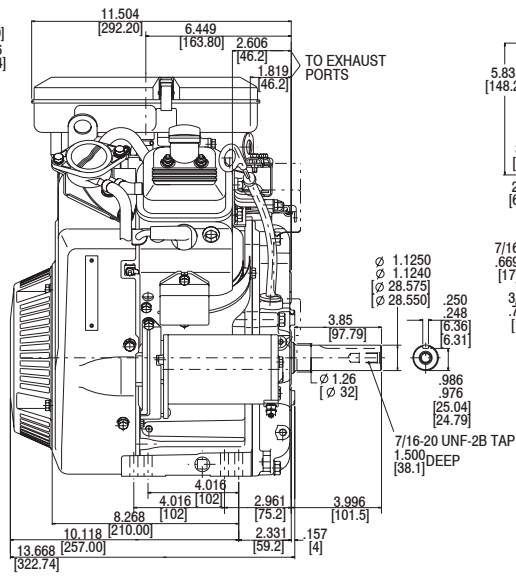
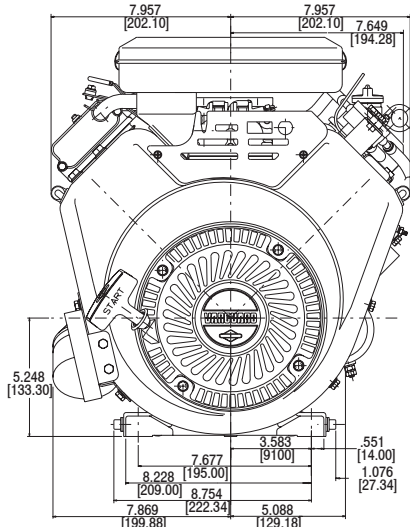
Bore 2.97 in. (75 mm)  
Stroke 2.75 in. (70 mm)  
Oil Capacity 48 fl. oz. (1.42 L)

FEATURES  
COOLER/CLEANER  
TECHNOLOGY



## Features:

- Dura-Bore™ cast iron cylinder sleeve for extended life
- Float carburetor for consistent easy starting
- Maintenance-free Magnetron® electronic ignition for quick, dependable starts
- Dual-Clean™ air cleaner pleated paper filter with a foam pre-cleaner ensures maximum protection for extended engine life
- Full pressure lubrication with oil cooler and spin-on oil filter assures controlled lubrication for extended component life
- Overhead valve design (OHV) for cooler operation and longer valve life
- Buyer protection package provides two-year commercial engine warranty



| Model Type | Shipping Weight | Crankshaft | Crankshaft (P.T.O.) Extension  | Dimension  | Starter Position Bolt-On/Changeable | Oil Filler & Drain | Governor | Controls | Exhaust System | Fuel Tank (Quarts) | Pulse Fuel Pump | Flange Mtg. | Oil Pump w/Filter | Manual & Remote Choke | Top Governor Speed | Notes |
|------------|-----------------|------------|--------------------------------|------------|-------------------------------------|--------------------|----------|----------|----------------|--------------------|-----------------|-------------|-------------------|-----------------------|--------------------|-------|
| 385447     |                 |            |                                |            |                                     |                    |          |          |                |                    |                 |             |                   |                       |                    |       |
| 0075       | 94              | 809844     | 1" dia., Keyway, tapped 3/8-24 | 2-29/32(c) | 9                                   | *                  | M        | AG/R/MF  | •              | ■                  | X               | X           | X                 | X                     | 3600               | ◆     |

\* Exhaust manifold and muffler omitted. See Engine Accessories Catalog MS-3880 for Exhaust Manifold and Muffler Options. \* Oil fill and dipstick in cover; dual drain. ■ Fuel tank omitted. ◆ Engine equipped with 12 Volt Gear Drive Starter and 16 Amp DC Alternator with Starter Panel Assembly.