

22 HP **ELS**[™] Model Series 40H700

Displacement 40.00 cu. in. (656 cc)

Bore 2.97 in. (75.4 mm)

Stroke 2.89 in. (73.4 mm)

Oil Capacity

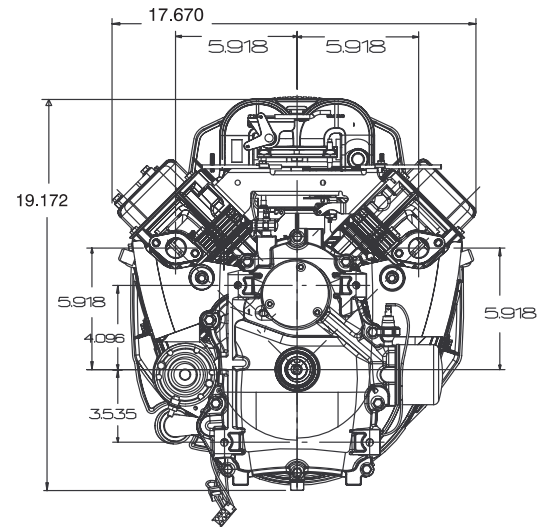
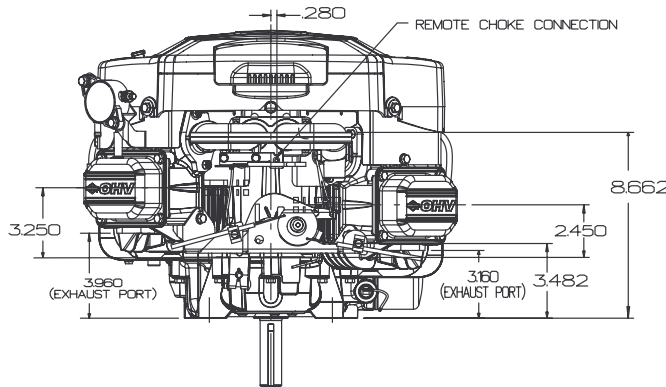
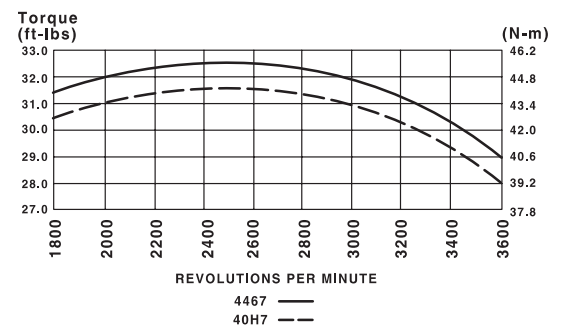
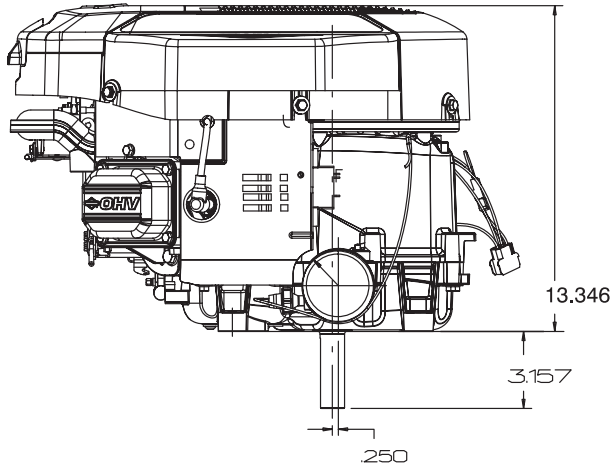
60 fl. oz. (1.8 l) w/o Filter

64 fl. oz. (1.9 l) w/Filter



Features:

- Extended Life Series
- Dura-Bore[™] cast iron cylinder sleeve for extended life
- Dependable float feed type carburetor with integral fuel pump for remote mount fuel tank
- Maintenance-free Magnetron[®] electronic ignition for quick, dependable starts
- Premium air cleaner has three times the cleaning capacity for superior protection
- Full pressure lubrication with spin-on oil filter assures controlled lubrication for extended component life
- Overhead valve design (OHV) for cooler operation and longer valve life
- Buyer protection package provides two-year consumer engine warranty
- Premium oil filter
- Platinum spark plugs for extended life



Model Type	Shipping Weight	Crankshaft	Crankshaft (P.T.O.) Extension	Dimension	Starter Position	Bolt-On/Changeable Governor	Controls	Exhaust System	Fuel Tank (Quarts)	Ground Wire Terminal	Ext. Oil Fill & Dipstick	Oil Pump w/Filter	Remote Choke	Top Governor Speed	Notes
40H777															
0026	95	691047	Tapped 7/16-20, Keyway, 1-1/8" dia.	4-5/16(b)	M	R	• ■	X X	X X	X X	X X	X X	3600	†	
0027	96	691046	Tapped 7/16-20, Keyway, 1" dia.	3-5/32(b)	M	R	• ■	X X	X X	X X	X X	X X	3600	†	

• Exhaust manifold and muffler omitted.

■ Fuel tank omitted.

† Engine equipped with 12 Volt Gear Drive Starter and 16 Amp DC Alternator.