

26 HP ELS™ Model Series 446700

Displacement 44.20 cu. in. (724 cc)

Bore 3.12 in. (79.0 mm)

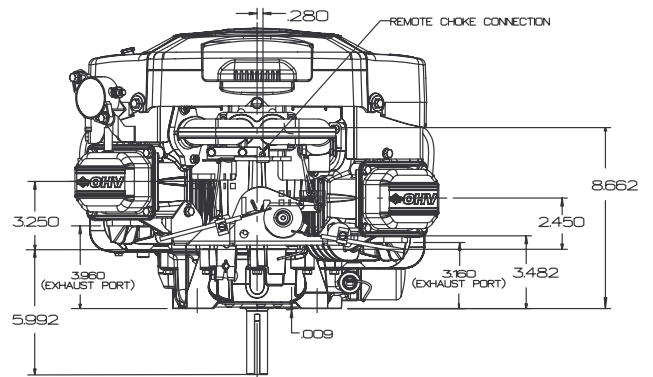
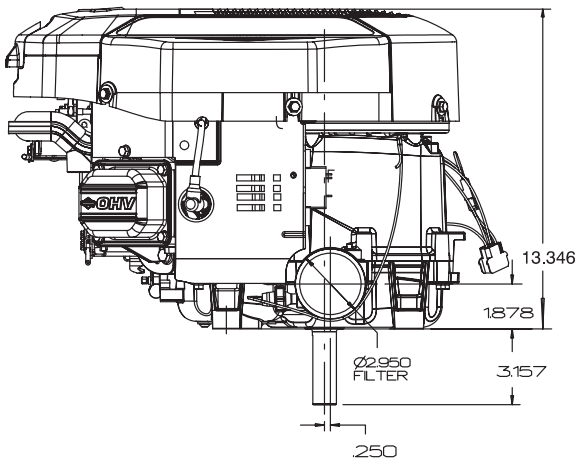
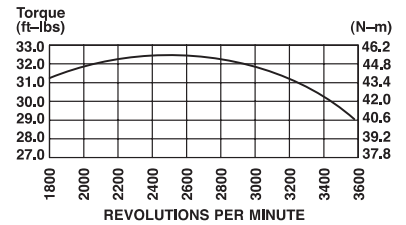
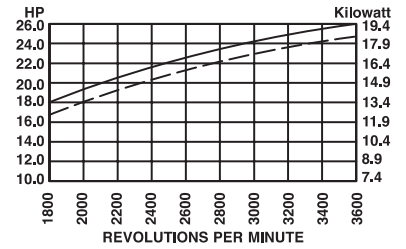
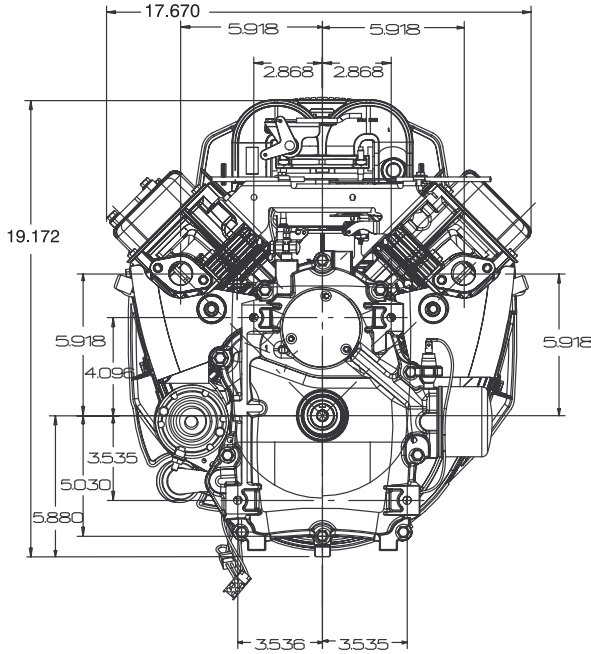
Stroke 2.89 in. (73.4 mm)

Oil Capacity 60 fl. oz. (1.8 l) w/o Filter
64 fl. oz. (1.9 l) w/Filter



Features:

- Extended Life Series
- Dura-Bore™ cast iron cylinder sleeve for extended life
- Dependable float feed type carburetor with integral fuel pump for remote mount fuel tank
- Maintenance-free Magnetron® electronic ignition for quick, dependable starts
- Premium air cleaner has three times the cleaning capacity for superior protection
- Full pressure lubrication with spin-on oil filter assures controlled lubrication for extended component life
- Overhead valve design (OHV) for cooler operation and longer valve life
- Buyer protection package provides two-year consumer engine warranty
- Premium oil filter
- Platinum spark plugs for extended life



Model Type	Shipping Weight	Crankshaft	Crankshaft (P.T.O.) Extension	Dimension	Starter Position	Governor Bolt-On/Changeable	Governor	Controls	Exhaust System	Fuel Tank (Quarts)	Ground Wire Terminal	Ext. Oil Fill & Dipstick	Oil Pump w/Filter	Remote Choke	Top Governor Speed	Notes
446777																
0025	790133	Tapped 7/16-20, Keyway, 1" dia.	4-5/16(b)	M	R	•	■	X	X	X	X	X	X	3300	†	
0126	96	691047	Tapped 7/16-20, Keyway, 1-1/8" dia.	4-5/16(b)	M	R	•	■	X	X	X	X	X	3300	†	
0127	691046	Tapped 7/16-20, Keyway, 1" dia.	3-5/32(b)	M	R	•	■	X	X	X	X	X	X	3300	†	

• Exhaust manifold and muffler omitted.

■ Fuel tank omitted.

† Engine equipped with 12 Volt Gear Drive Starter and 16 Amp DC Alternator.