

Commercial Series™ 25.0 Gross HP

724 CC

Bore 3.12 in. (79.25 mm)

Stroke 2.89 in. (73.41 mm)

Oil Capacity 64 fl. oz. (1.89 L)

FEATURES:

Mechanical compression release for easy, reliable starting

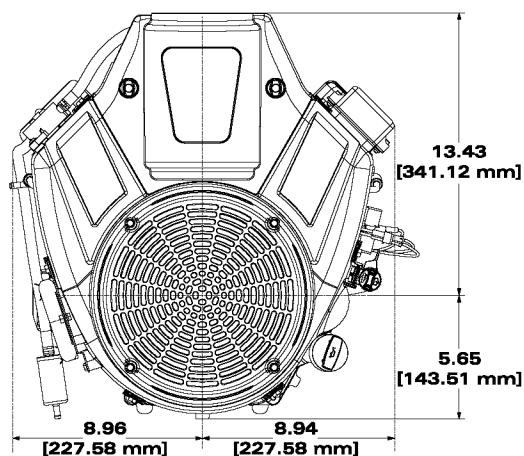
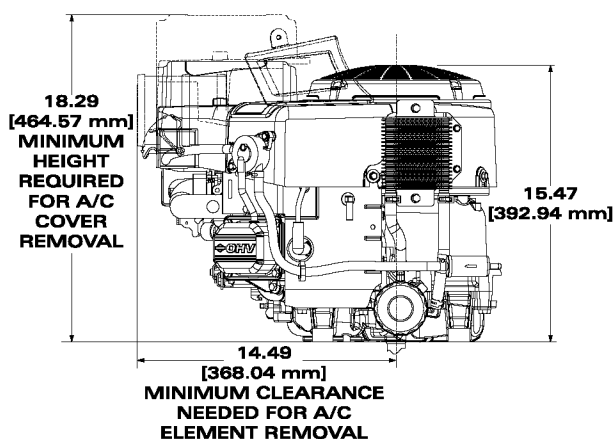
Chrome plated exhaust valves reduce valve wear providing longer life

Premium high capacity air, oil and fuel filters provide longer maintenance intervals and more engine protection

Super-finished crank pin bearing for reduced friction and wear

Advanced Debris Management System with a dual seal, cartridge-style air filter provides maximum protection and extends engine life

Buyer protection package provides two-year limited consumer engine warranty



†All power levels are stated gross horsepower at 3600 RPM per SAE J1940 as rated by Briggs & Stratton.

| MTT | Crankshaft # | P.T.O. Diameter | Drilled & Tapped | Keyway | Length | Starter Position | Cyclonic Filter | Controls | Oil Cooler | Fuel Pump | Oil Pump / Filter | Choke-A-Matic | ReadyStart® | Remote Choke | EFM | Alternator | Governed Speed | Notes |
|---------|--------------|-----------------|------------------|---------|---------|------------------|-----------------|----------|------------|-----------|-------------------|---------------|-------------|--------------|-----|------------|----------------|-------|
| 44T977 | | | | | | | | | | | | | | | | | | |
| 0009-G1 | 796237 | 1 in. | 7/16-20 | 1/4-Sq. | 3-5/32 | Yes | R | Yes | Yes | Yes | Yes | Yes | | | | 16A,DC | 3300 | 1,8,P |
| 0011-G1 | 796256 | 1-1/8 in. | 7/16-20 | 1/4-Sq. | 4-19/64 | Yes | R | Yes | Yes | Yes | Yes | Yes | | | | 16A,DC | 3300 | 1,8 |

(1) 12 Volt Gear Drive Starter

(8) Static Cover Installed