

# VANGUARD™ 35.0 GROSS HP†

## 993 CC

Bore 3.37 in. (85.50 mm)

Stroke 3.41 in. (86.50 mm)

Oil Capacity 79 fl. oz. (2.34 L)



### FEATURES:

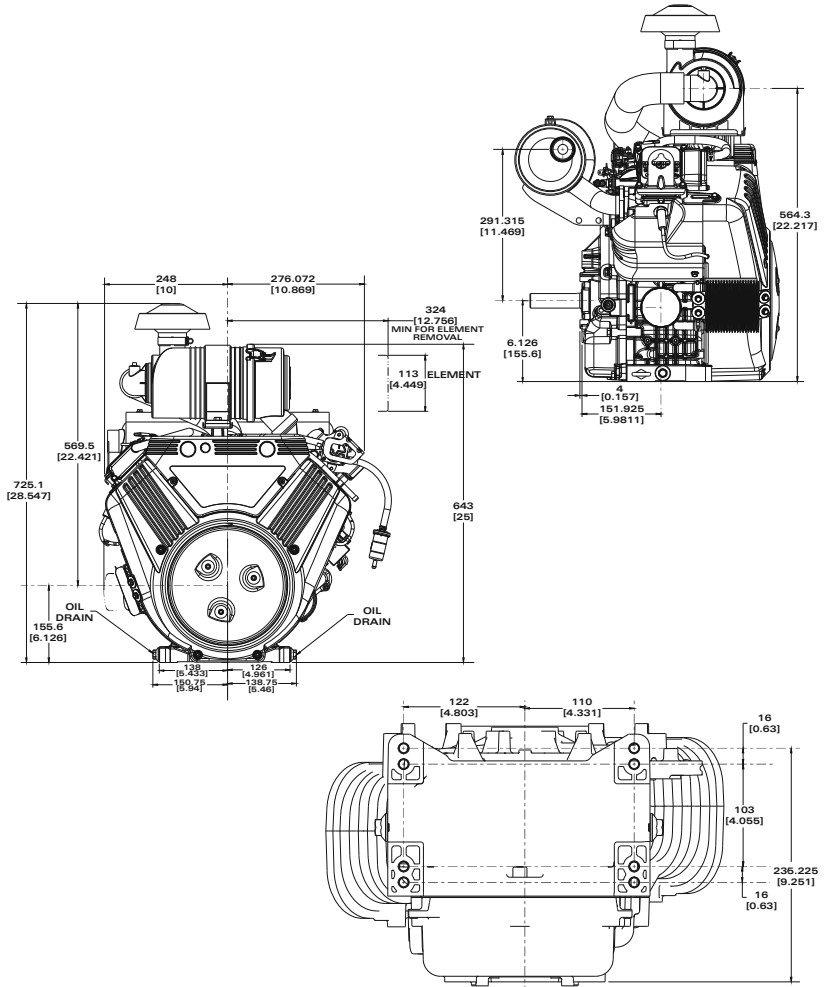
Advanced Debris Management System allows the engine to run cleaner and cooler, which enhances durability and performance

Foam pre-cleaner traps large debris before it can clog the filter element and rob the engine of needed air

Industrial grade solenoid shift starter assures quick, reliable starts

Full-pressure oil lubrication system with spin-on filter works to keep oil cleaner, which reduces maintenance and extends engine life

**Buyer protection package provides three-year commercial limited warranty\*\***



MTT	Crankshaft #	P.T.O. Diameter	Drilled & Tapped	Keyway	Length	Controls	Remote Choke	Manual Choke	Cyclonic Air Filter	Flange Mtg.	Oil Cooler	Fuel Pump	Oil Pump with Filter	Key Stop Switch	Fuel Tank (Quarts)	Muffler	Top Governor Speed	Notes
<b>613477</b>																		
0039-B1	814839	1-1/8 in.	7/16-20	1/4-Std.	4	R		X	X	X	X	X	X	X	--	X	4600	17,15
0039-J1	814839	1-1/8 in.	7/16-20	1/4-Std.	4	R		X	X	X	X	X	X	X	--	X	4600	17,15
0040-B1	842268	1-1/8 in.	7/16-20	1/4-Std.	3	R		X	X	X	X	X	X	X	--		4600	8,15
0041-B1	841839	1-1/8 in.	7/16-20	1/4-Std.	4	R		X	X	X	X	X	X	X	--	X	4600	8,15
2193-G1	841839	1-1/8 in.	7/16-20	1/4-Std.	4	R		X	X	X	X	X	X	X	--	X	4200	8,15
2194-G1	841839	1-1/8 in.	7/16-20	1/4-Std.	4	R		X	X	X	X	X	X	X	--	X	4200	17,15
3035-G1	841839	1-1/8 in.	7/16-20	1/4-Std.	4	R		X	X	X	X	X	X	X	--	X	4000	8,14,15
1035-J1	841839	1-1/8 in.	7/16-20	1/4-Std.	4	R		X	X	X	X	X	X	X	--	X	4000	8,14,15
3048-G1	841839	1-1/8 in.	7/16-20	1/4-Std.	4	MF		X	X	X	X	X	X	X	--		3600	8,14,15
3076-J1	842268	1-1/8 in.	7/16-20	1/4-Std.	3	R	X		X	X	X	X	X		--		3800	8,14
3078-G1	843609	2-1/4 Taper	5/16-24	----	3-13/16	MF		X	X	X	X	X	X	X	--		3750	8,14,15
3079-G1	841844	1-7/16 in.	5/8-18	3/8-Str.	4.5	MF		X	X	X	X	X	X	X	--		3600	8,14,15
3111-J1	841839	1-1/8 in.	7/16-20	1/4-Std.	4	R	X		X	X	X	X	X		--		3600	8,14

†All power levels are stated gross horsepower at 3600 RPM per SAE J1940 as rated by Briggs & Stratton.

(8) Engine equipped with 12 Volt Solenoid Shift Starter and 20 AMP DC Alternator

(14) Suppress Afterfire Solenoid

(15) Static Cover Installed

(17) Engine equipped with 12 Volt Solenoid Shift Starter and 20/50 AMP DC Alternator

\*\*See [www.briggsandstratton.com](http://www.briggsandstratton.com) for warranty details.