

Vanguard® EFI

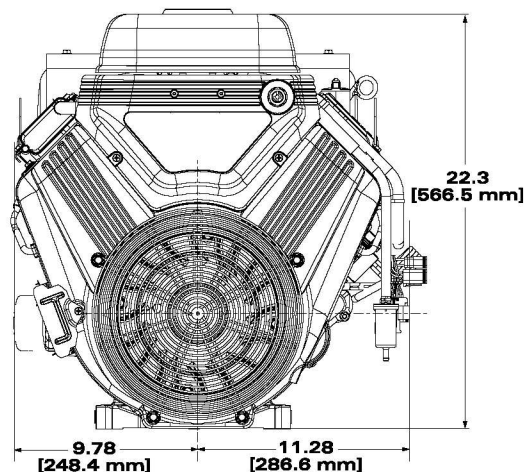
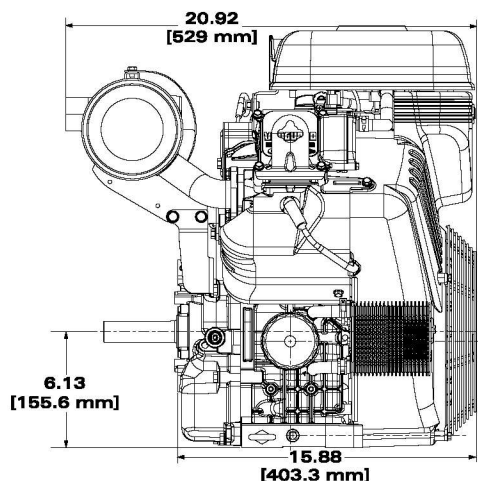
37.0 Gross HP†

993 CC

Bore 3.37 in. (85.60 mm)
 Stroke 3.41 in. (86.61 mm)
 Oil Capacity 79 fl. oz. (2.34 L)

FEATURES:

- Electronic Fuel Injection
 - Advanced Debris Management System allows the engine to run cleaner and cooler, which enhances durability and performance
 - Foam pre-cleaner traps large debris before it can clog the filter element and rob the engine of needed air
 - Industrial grade solenoid shift starter assures quick, reliable starts
 - Full-pressure oil lubrication system with spin-on filter works to keep oil cleaner, which reduces maintenance and extends engine life
- Buyer protection package provides three-year commercial limited warranty**



†All power levels are stated gross horsepower at 3600 RPM per SAE J1940 as rated by Briggs & Stratton. For accessory options see the [Repowering Accessories M54-61 Vanguard™ Big Block Catalog](#) (To open PDF in new tab, press Control Key while clicking link).

MTT	Crankshaft #	P.T.O. Diameter	Drilled & Tapped	Keyway	Length	Starter Position	Controls	Remote Choke	Manual Choke	Cyclonic Filter	Flange Mtg.	Oil Cooler	Fuel Pump	Oil Pump / Filter	Panel Control	Fuel Tank (Qt.)	Muffler	Marine	Alternator	Governed Speed	Notes
61E377																					
0140-J1	841839	1-1/8 in.	7/16-20	1/4-Sq	4	R				No	Yes	Yes	Yes	Yes			No		20A,DC	4000	2,8
0153-J1	841844	1-7/16 in.	5/8-18	3/8-Sq	4-1/2	MF				Yes	Yes	Yes	Yes	Yes	Yes		No		20/50A,DC	3600	2,8,10
0052-J1	841839	1-1/8 in.	7/16-20	1/4-Sq	4	MF				Yes	Yes	Yes	Yes	Yes			No		20A,DC	3600	2,8,10
0154-J1	841839	1-1/8 in.	7/16-20	1/4-Sq	4	MF				No	Yes	Yes	Yes	Yes	Yes		No		20/50A,DC	3600	2,8,10
0155-J1	841844	1-7/16 in.	5/8-18	3/8-Sq	4-1/2	MF				No	Yes	Yes	Yes	Yes	Yes		No		20/50A,DC	3600	2,8,10
0064-J1	841839	1-1/8 in.	7/16-20	1/4-Sq	4	MF				Yes	Yes	Yes	Yes	Yes	Yes		No		20/50A,DC	3600	2,8,10

(10) Engine equipped with Tach, Hour Meter and MIL

(2) 12 Volt Solenoid Shift Starter

(8) Static Cover Installed