

5.50 GROSS TORQUE*

140 CC

Bore 2.4961 in. (65.6)

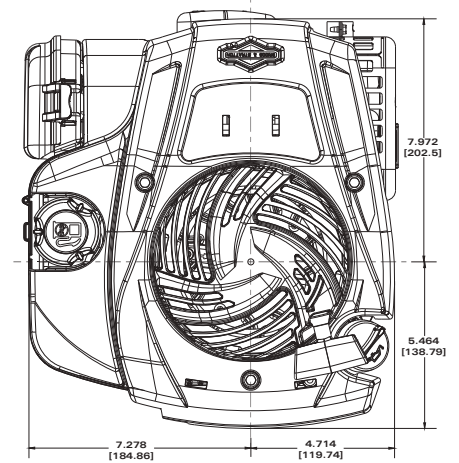
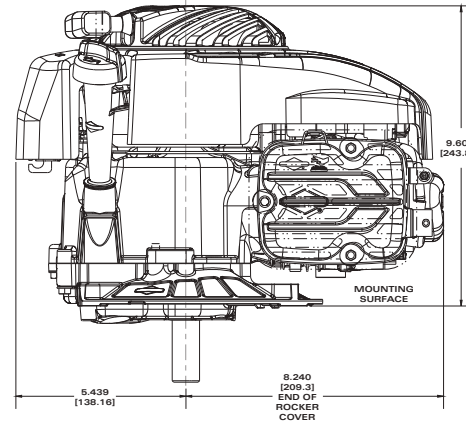
Stroke 1.75 in. (44.5 mm)

Oil Capacity 16 fl. oz. (0.473176 L)



FEATURES:

- Optional ReadyStart® starting system with no prime, no choke, no worries, just pull for power
- Dual-sealing air cleaner for improved debris resistance and longer life
- Lightest engine in its class by 30% for easier maneuverability
- Acoustically-engineered muffler for quiet operation and excellent tonal quality
- Less vibration for more user comfort and enhanced engine life
- **Buyer protection package provides two-year limited consumer engine warranty**



MTT	Shipping Weight	Crank Position (H/V)	Crankshaft #	Crankshaft (P.T.O.) Extension	Dimension	Starter Position - Bolt On/Changeable	Ext. Oil Fill & Dipstick	Governor	Controls	Primer Carburetor	ReadyStart®	Compliance Brake	Fuel Tank (Quarts)	Top Governor Speed	Notes
9P702		V													
0045	25		590538	Tapped 3/8-24, 2WK, and 3/16 Keyway, 7/8" dia.	3.156" PTO	5:30	OC	M	FC		X		.8	3100	◆
0046	25		590537	Tapped 3/8-24, 2WK, and 3/16 Keyway, 7/8" dia.	2.438" PTO	5:30	OC	M	FC		X		.8	3100	◆
0087	25		590538	Tapped 3/8-24, 2WK, and 3/16 Keyway, 7/8" dia.	3.156" PTO	5:30	OC	M	FC	X		X	.8	3100	◆
0116	25		591152	Tapped 3/8-24, 2WK, and 3/16 Keyway, 7/8" dia.	1.812" PTO	5:30	OC	M	MF/R		X	X	.8	3300	◆

◆ Comes equipped with a blade brake so that it can be used on products requiring a CPSC required operator presence control

*All power levels are stated gross torque at 2600 RPM per SAE J1940 as rated by Briggs & Stratton.