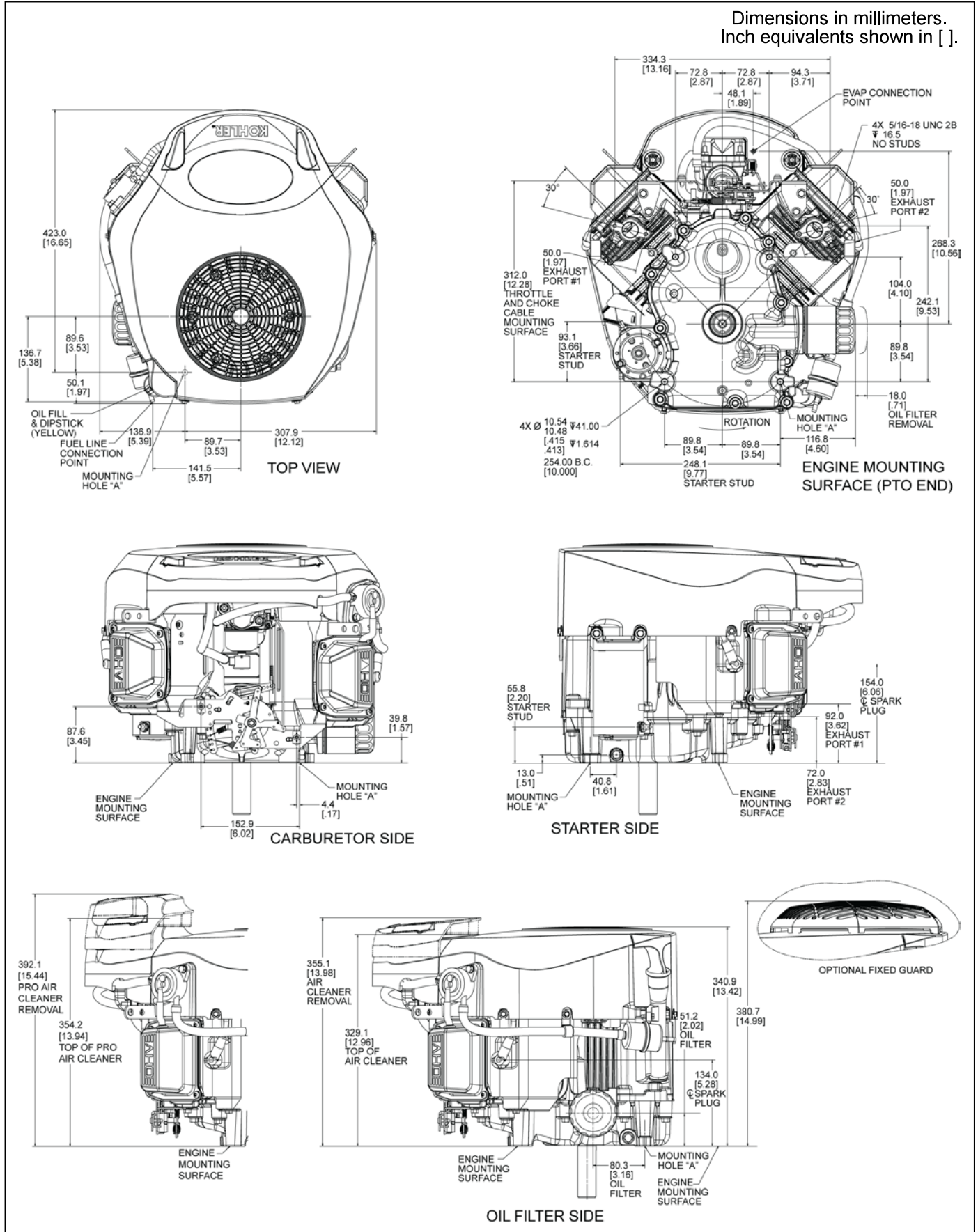


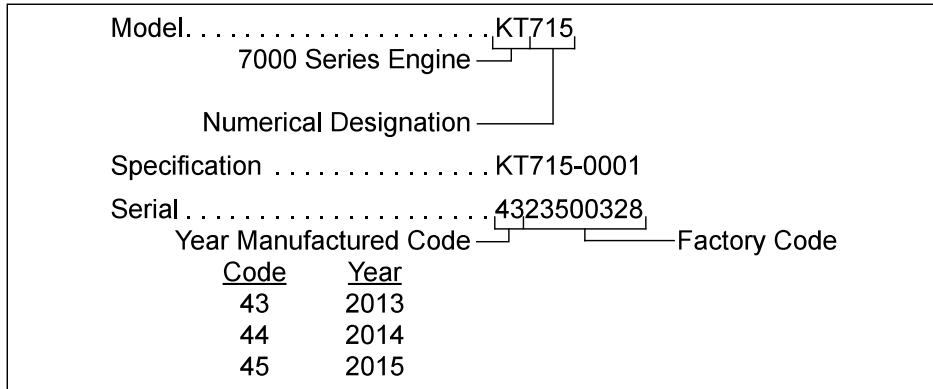
Engine Dimensions



Specifications

ENGINE IDENTIFICATION NUMBERS

Kohler engine identification numbers (model, specification and serial) should be referenced for efficient repair, ordering correct parts, and engine replacement.



GENERAL SPECIFICATIONS^{3,6}

KT715 KT725 KT730 KT735 KT740 KT745

Bore	83 mm (3.27 in.)	
Stroke	67 mm (2.64 in.)	69 mm (2.72 in.)
Displacement	725 cc (44 cu. in.)	747 cc (46 cu. in.)
Oil Capacity (refill)	1.9 l (2.0 qt.)	
Maximum Angle of Operation (@ full oil level) ⁴	25°	

TORQUE SPECIFICATIONS^{3,5}

KT715 KT725 KT730 KT735 KT740 KT745

Auto Choke

eChoke™ Stepper Motor to Bracket Fastener Air Cleaner Base to Mounting Studs	3.1 N·m (27.4 in. lb.) 6.2-7.3 N·m (55-65 in. lb.)
Smart-Choke™ Air Vane Deflector to Intake Manifold Air Cleaner Base to Mounting Studs Bracket Assembly Screw	1 N·m (9 in. lb.) 6.2-7.3 N·m (55-65 in. lb.) 5 N·m (45 in. lb.)

Baffle and Sheet Metal into Aluminum

M5 Thread Forming Fasteners	8.5 N·m (75 in. lb.) into new hole 4.0 N·m (35 in. lb.) into used hole
M6 Thread Forming Fasteners	10.7 N·m (95 in. lb.) into new hole 7.3 N·m (65 in. lb.) into used hole

Blower Housing and Sheet Metal

M3 HI-LO Screw	2.3 N·m (20 in. lb.)
M4 HI-LO Screw	2.8 N·m (25 in. lb.)
M5 Fasteners	6.2 N·m (55 in. lb.) into new hole 4.0 N·m (35 in. lb.) into used hole
M6 Fasteners	10.7 N·m (95 in. lb.) into new hole 7.3 N·m (65 in. lb.) into used hole

³ Values are in Metric units. Values in parentheses are English equivalents.

⁴ Exceeding maximum angle of operation may cause engine damage from insufficient lubrication.

⁵ Lubricate threads with engine oil prior to assembly.

⁶ Any and all horsepower (hp) references by Kohler are Certified Power Ratings and per SAE J1940 & J1995 hp standards. Details on Certified Power Ratings can be found at KohlerEngines.com.