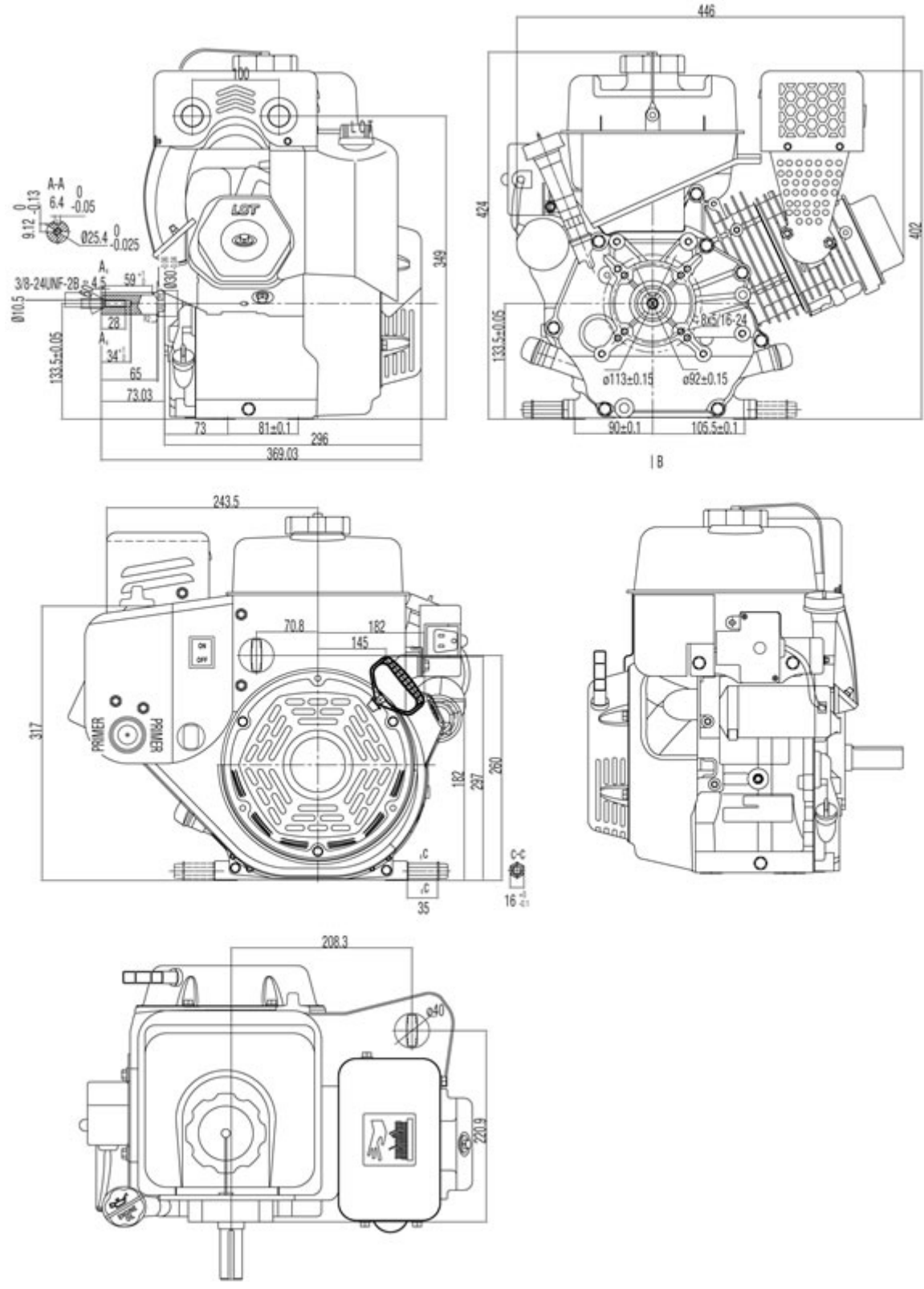


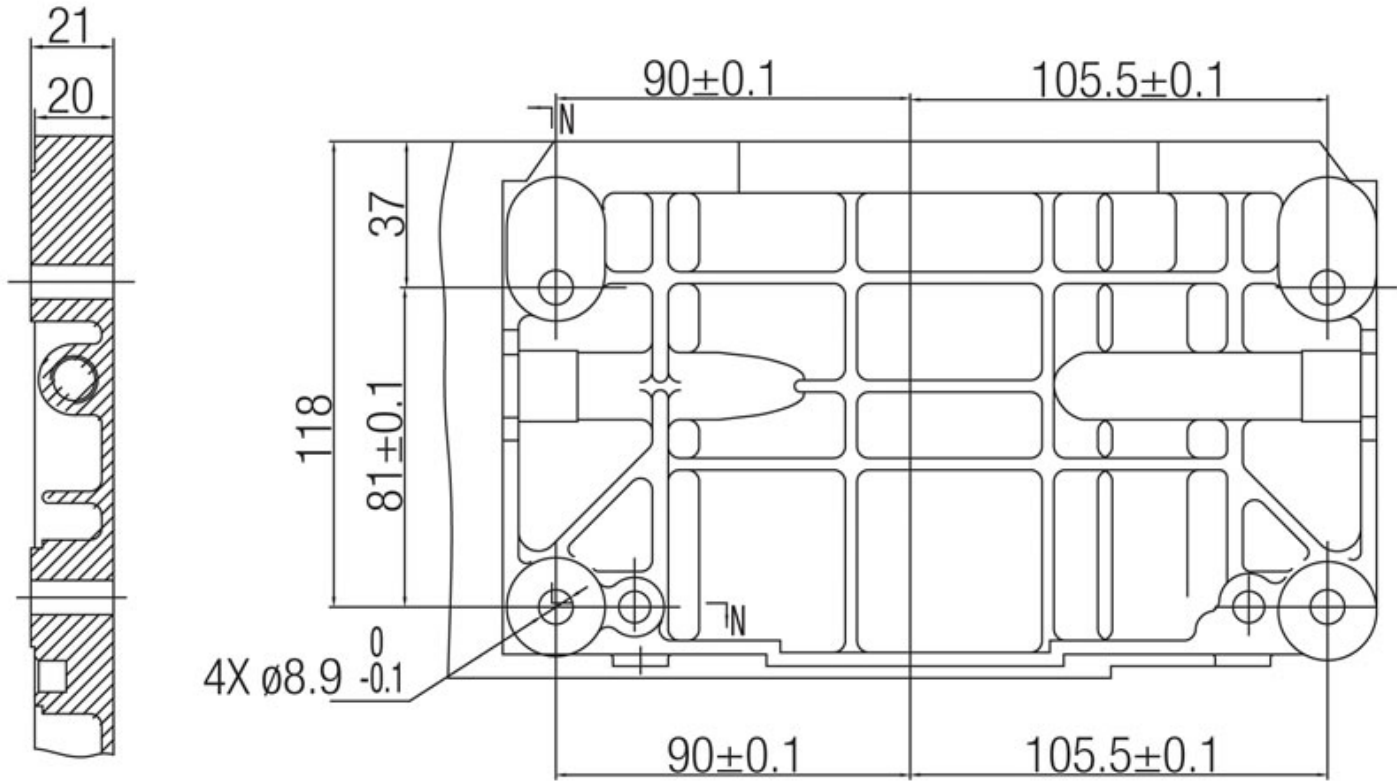
[Close Window](#)

All Images © 2009, Liquid Combustion Technology, LLC - All Rights Reserved



[Close Window](#)

All Images © 2009, Liquid Combustion Technology, LLC - All Rights Reserved

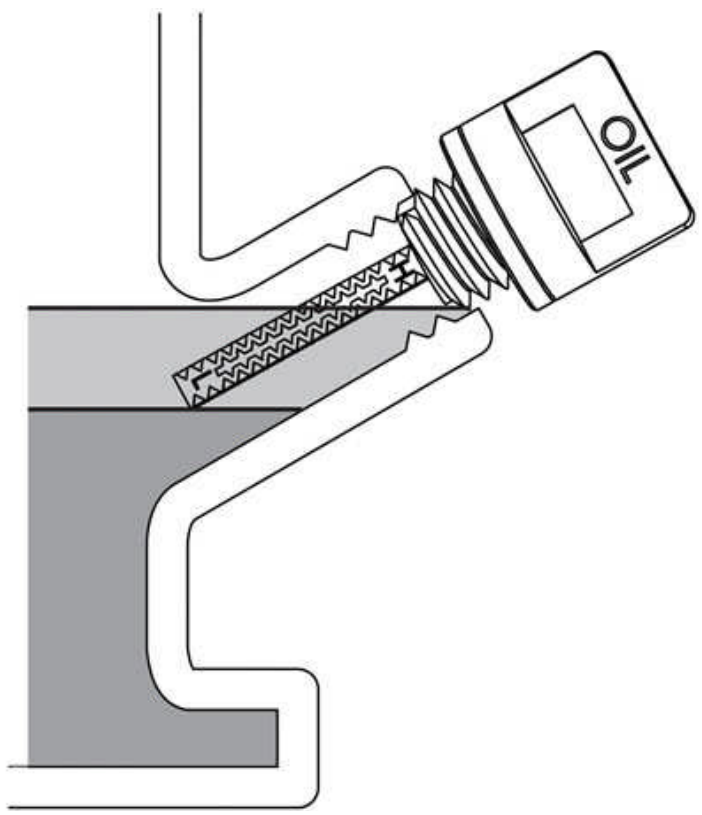


[Close Window](#)

All Images © 2009, Liquid Combustion Technology, LLC - All Rights Reserved



MAX UPPER LEVEL
MAX LOWER LEVEL



[Close Window](#)

All Images © 2009, Liquid Combustion Technology, LLC - All Rights Reserved