

# Section 1

## Safety and General Information

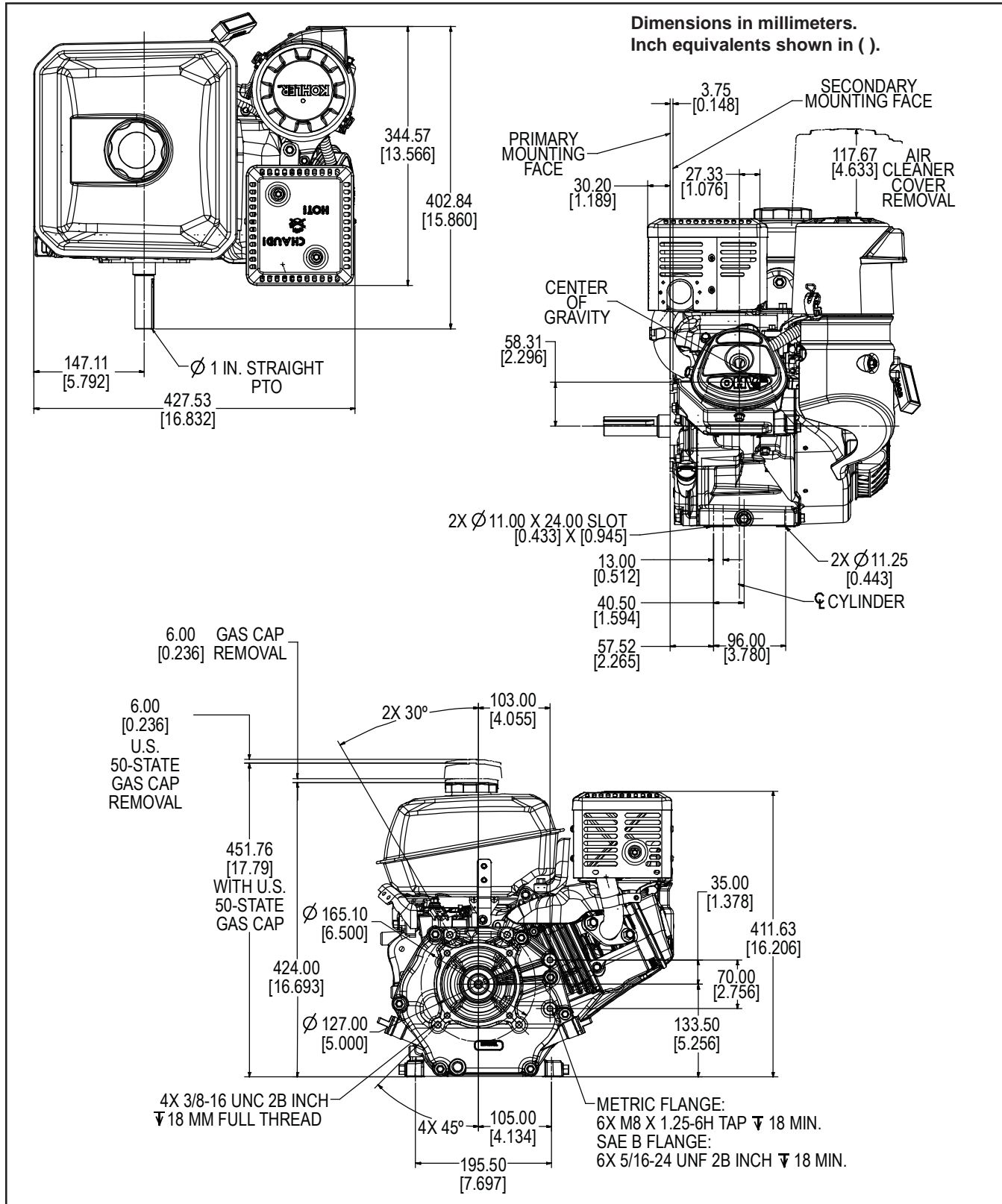


Figure 1-7. Typical Engine Dimensions-CH395.

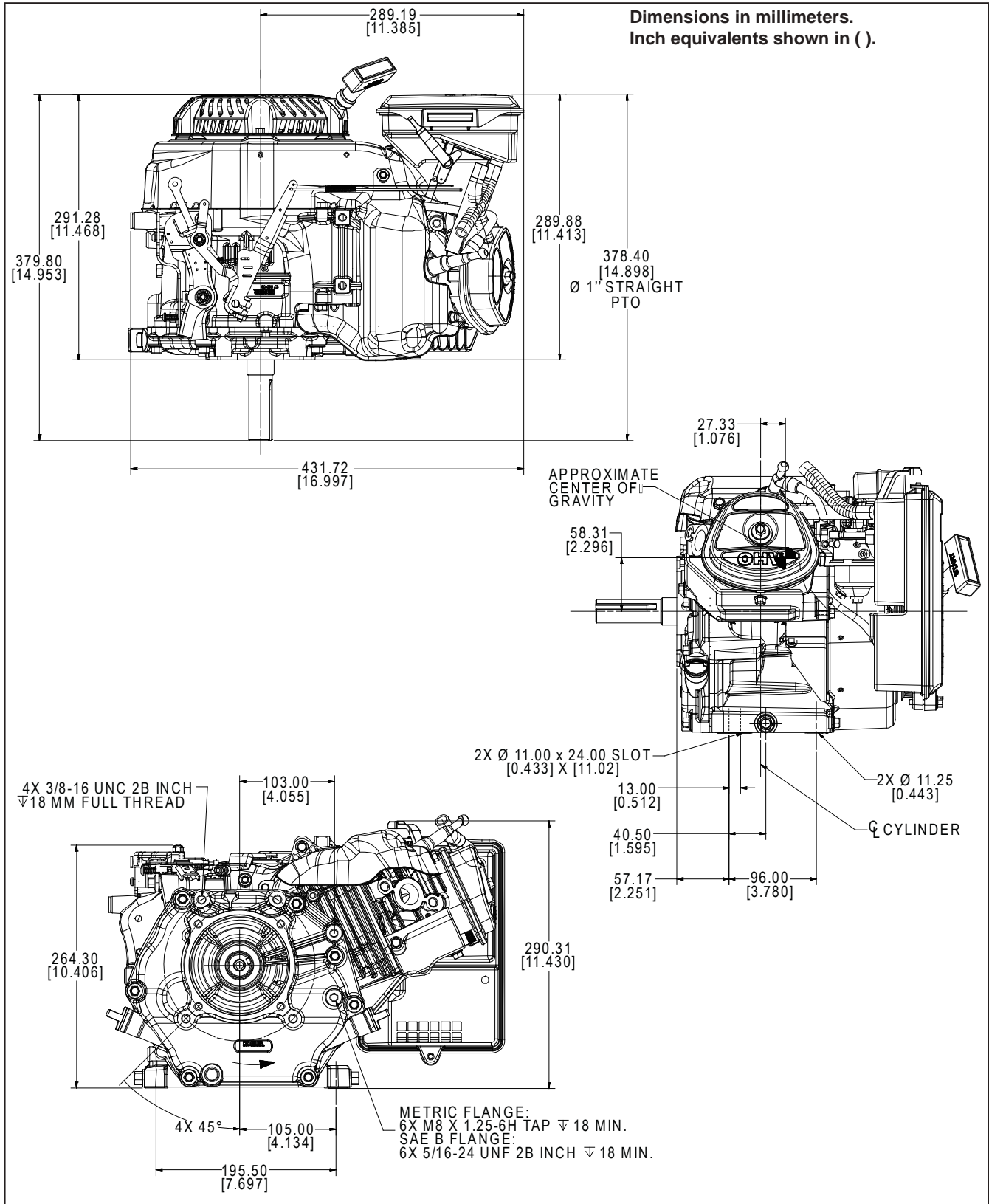


Figure 1-8. Typical Engine Dimensions-CH395 With Low-Profile Air Cleaner.