

Section 1

Safety and General Information

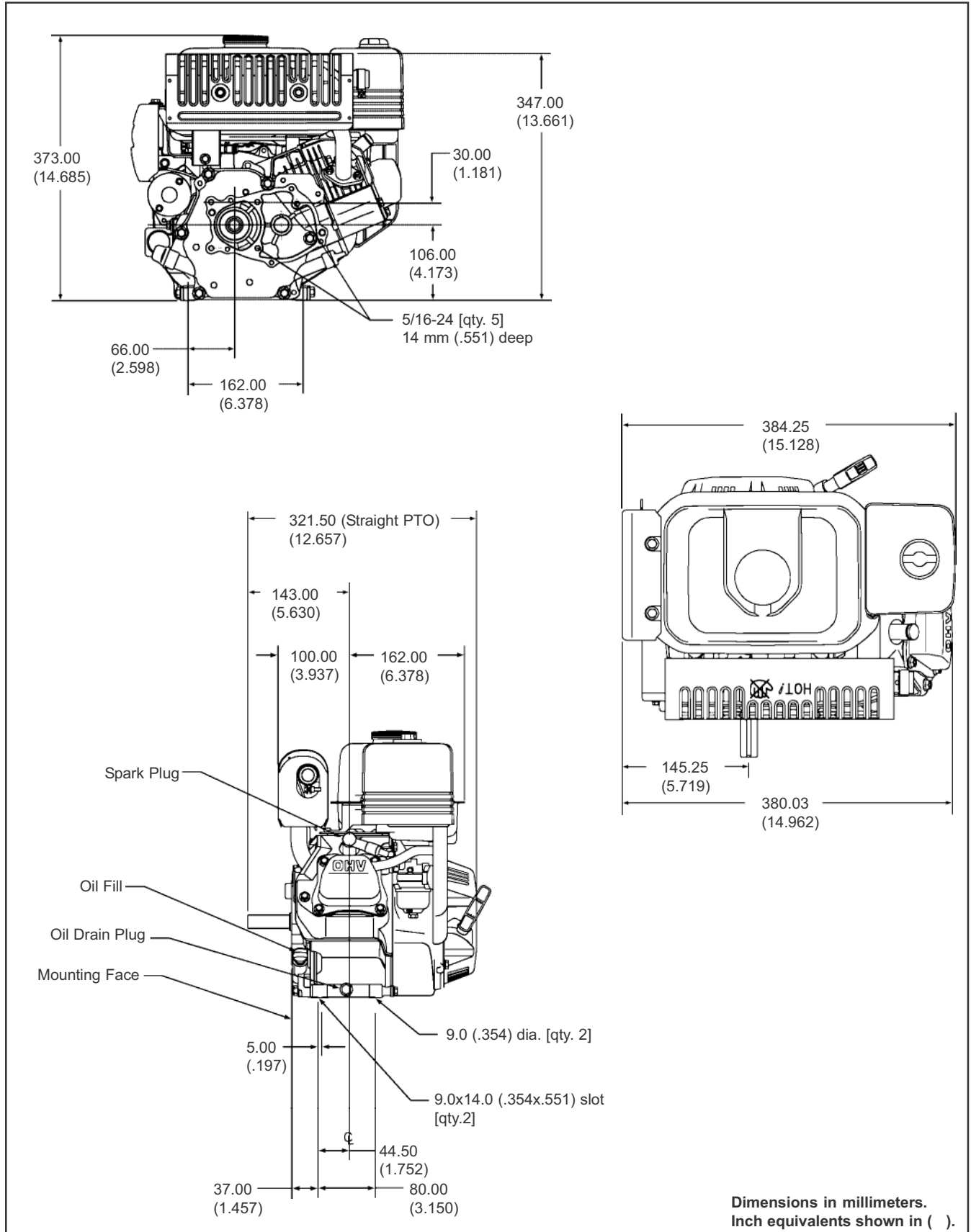


Figure 1-5. Typical Engine Dimensions CS4 and CS6.

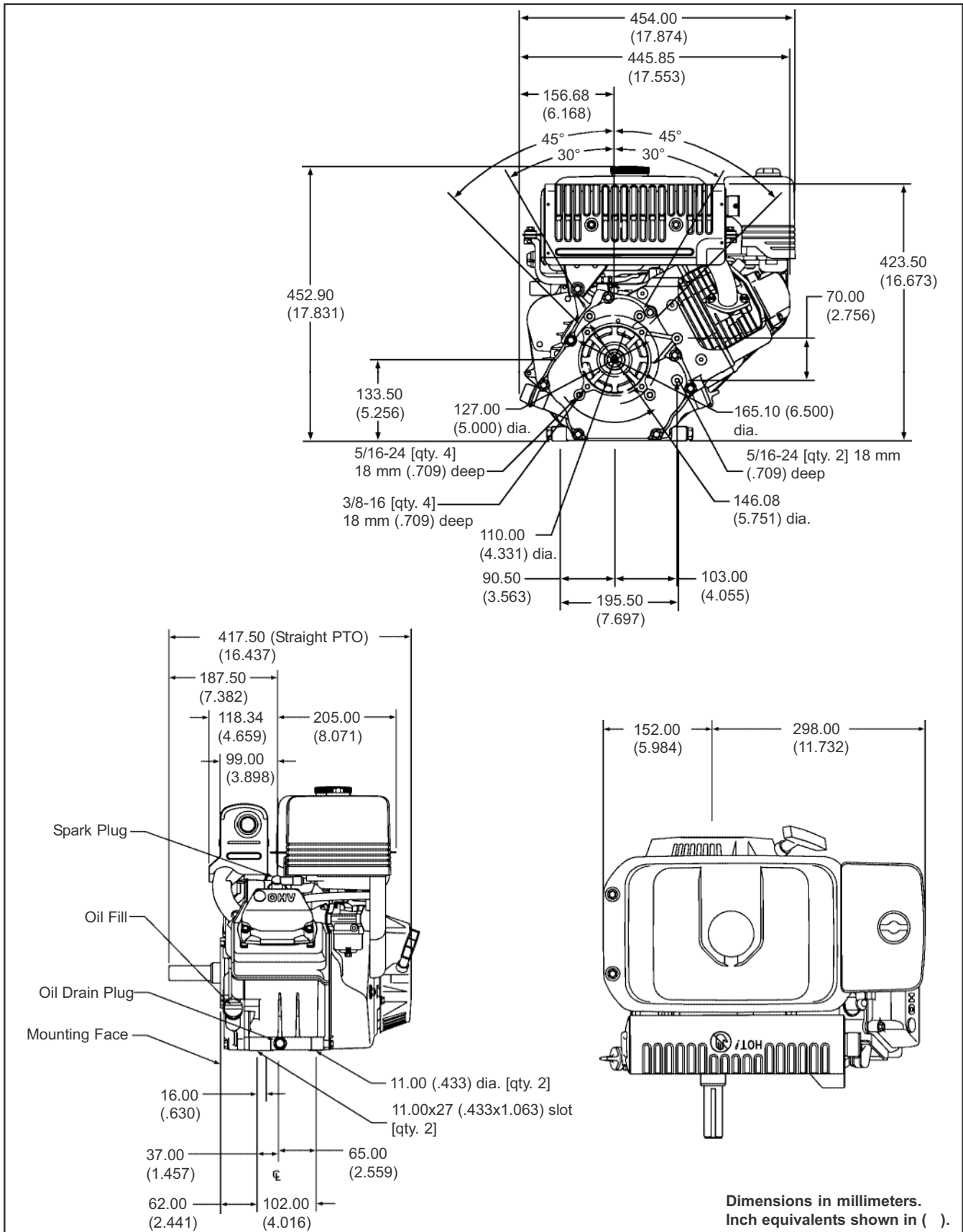


Figure 1-6. Typical Engine Dimensions CS8.5 (spec. 92xxxx), CS10, and CS12 - 12.75.

Section 1

Safety and General Information

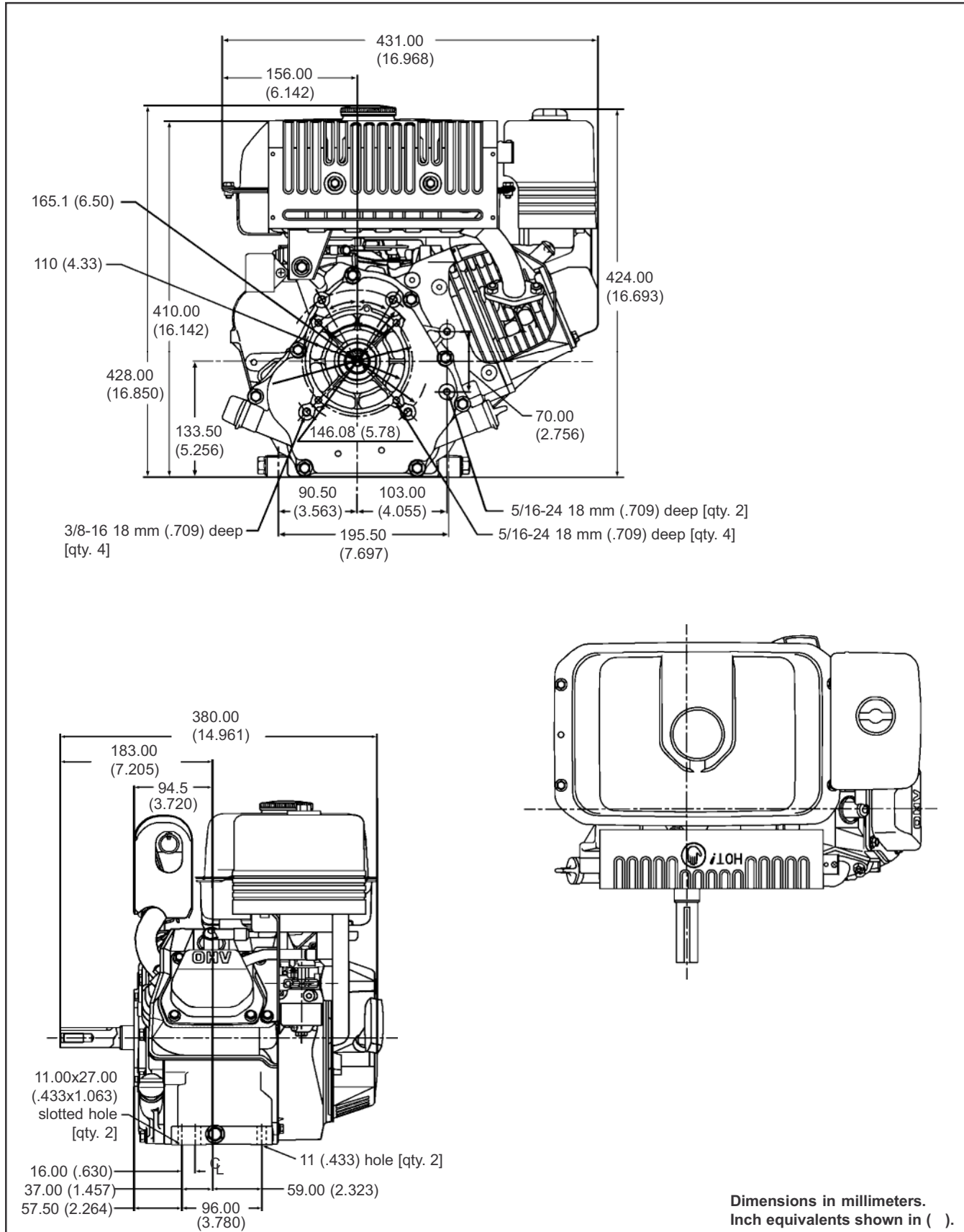


Figure 1-7. Typical Engine Dimensions CS8.5 (spec. 95xxxx).