

Section 1

Safety and General Information

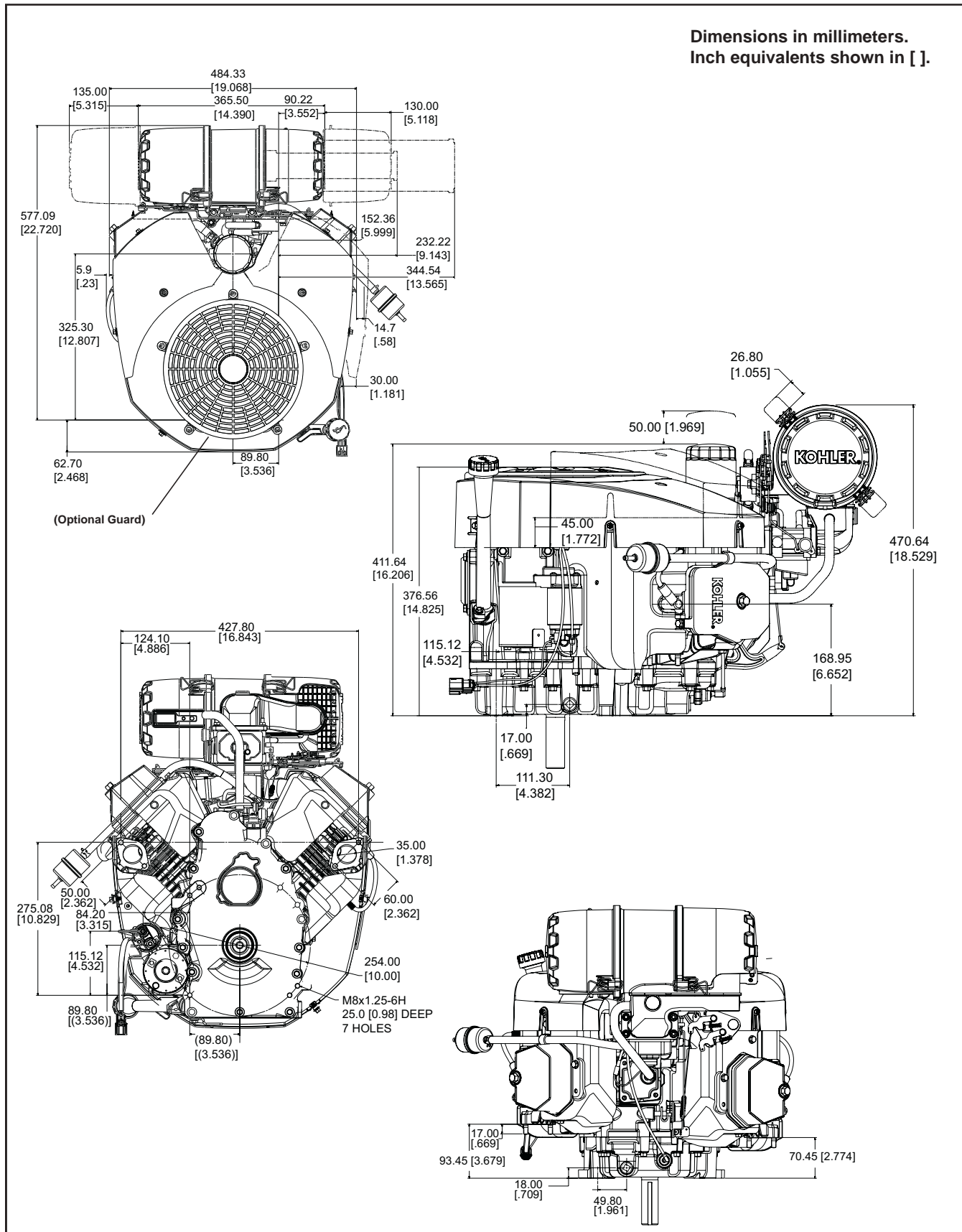


Figure 1-4. Typical CV PRO Series Engine Dimensions with Heavy Duty Air Cleaner.