

Section 1 Safety and General Information

1

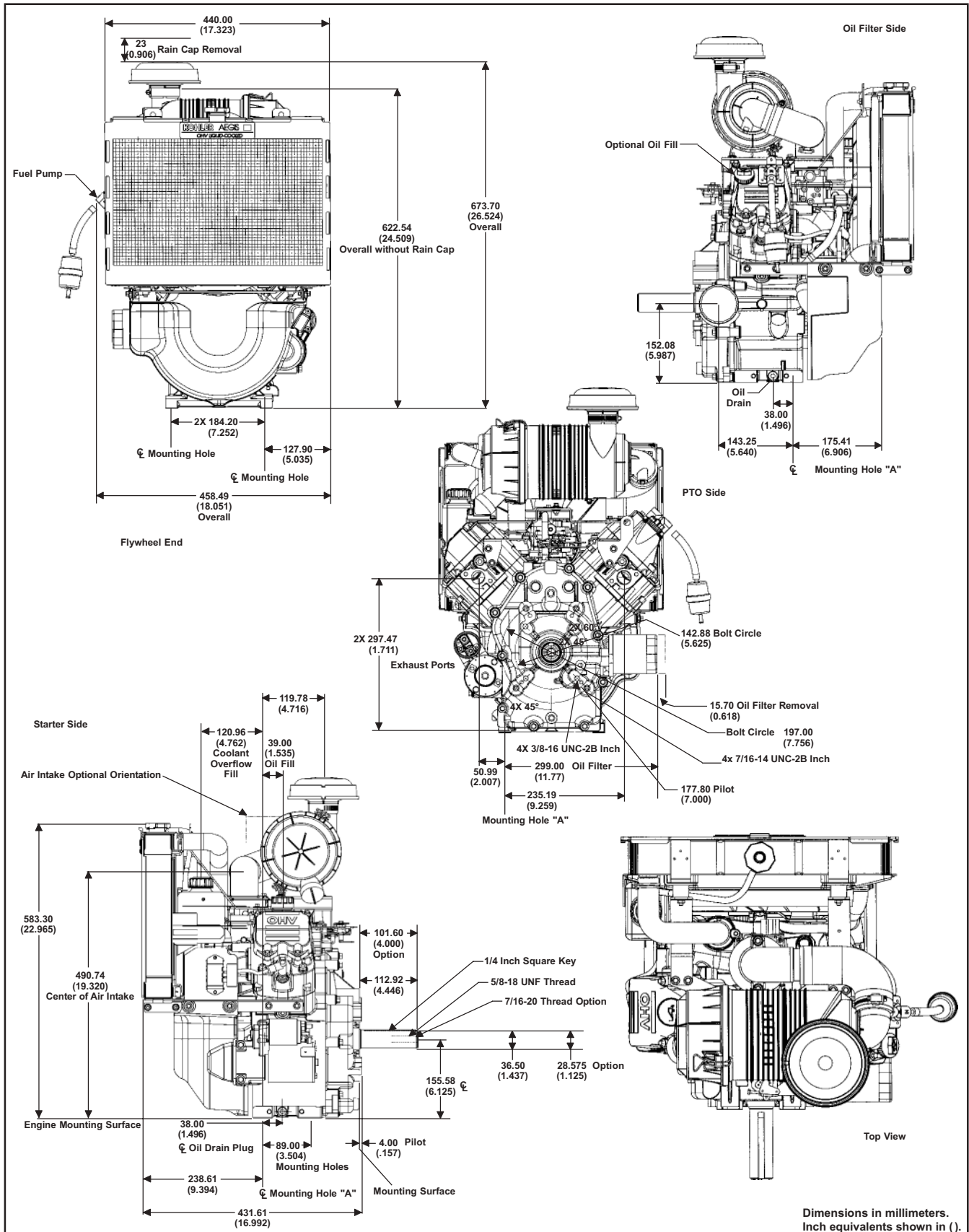


Figure 1-4. Typical Engine Dimensions.