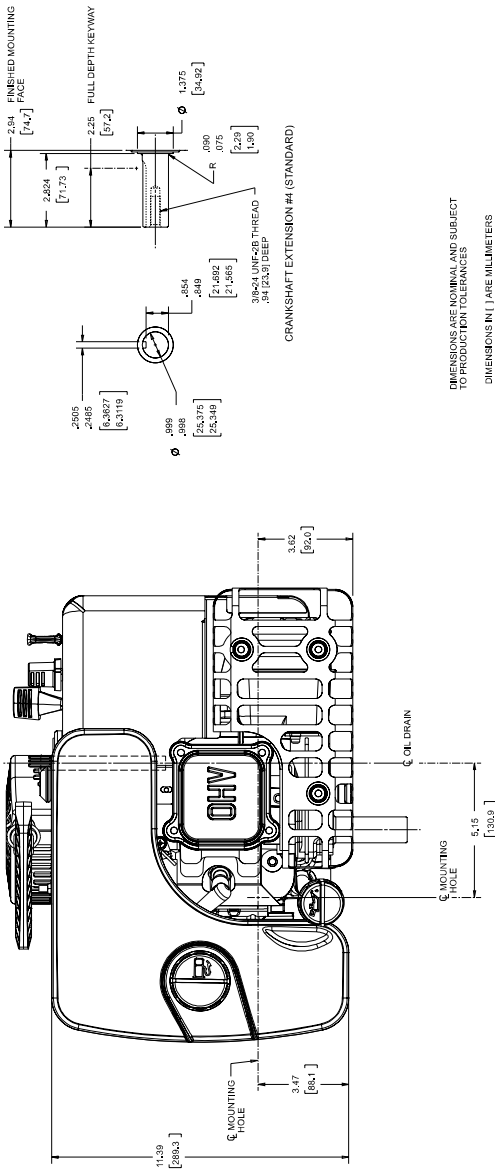


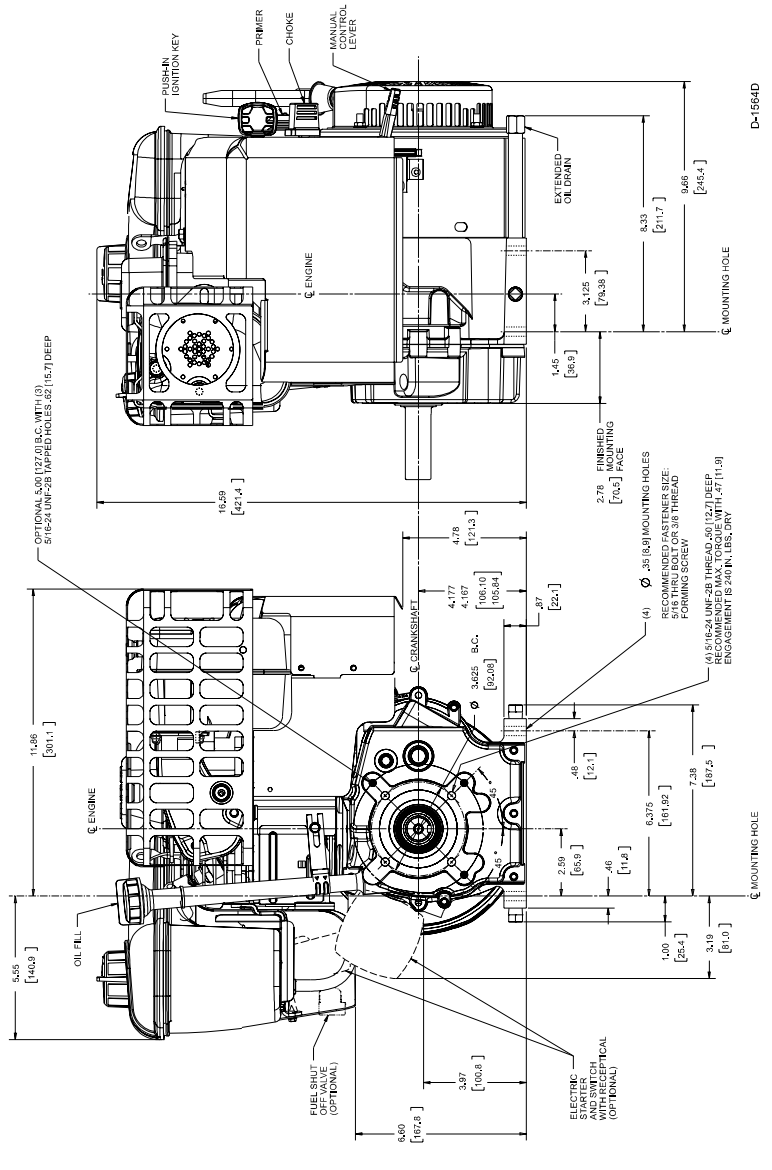
DIMENSIONAL DRAWING



OH318SA (OHSK90-110)



DIMENSIONS ARE NOMINAL AND SUBJECT TO PRODUCTION TOLERANCES
DIMENSIONS IN [] ARE MILLIMETERS



D-1564D