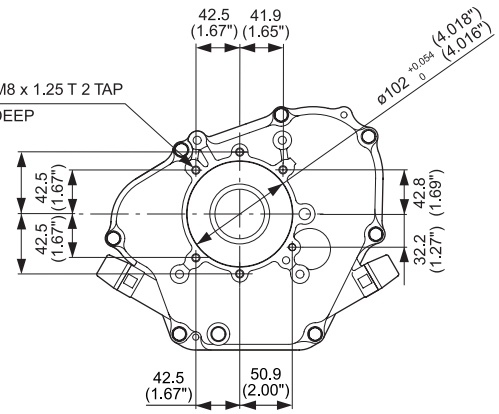


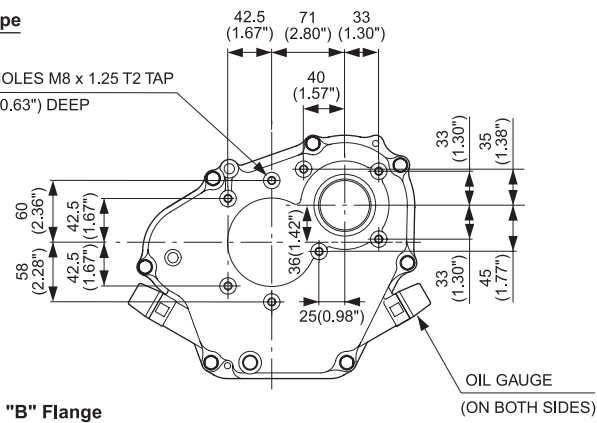
D Type

8 HOLES M8 x 1.25 T 2 TAP
16(0.63") DEEP



B Type

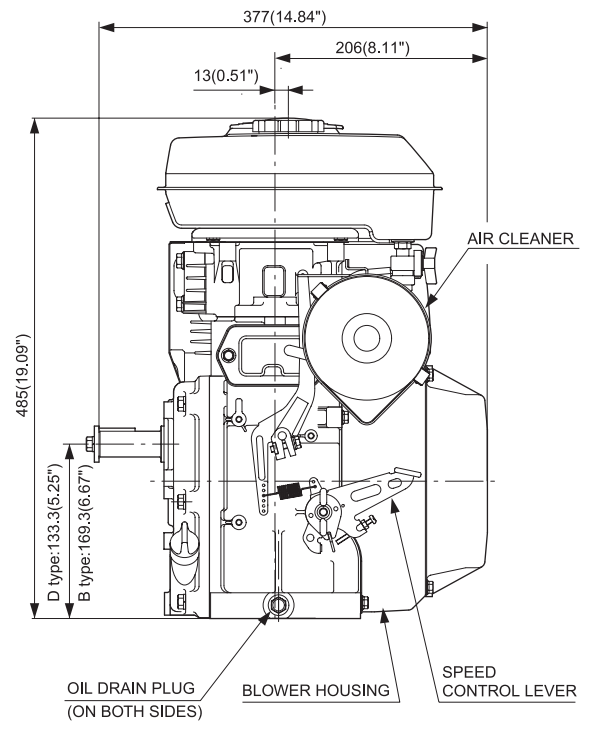
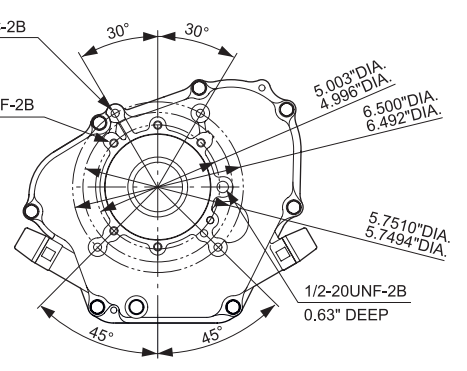
8 HOLES M8 x 1.25 T2 TAP
16(0.63") DEEP



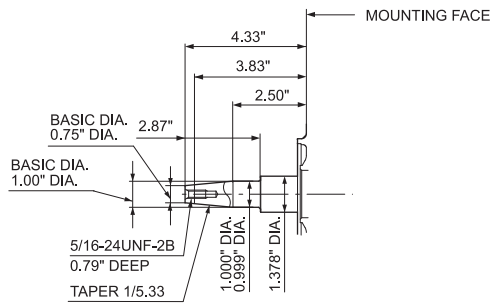
SAE "B" Flange

4 HOLES 3/8-16UNC-2B
0.63" DEEP

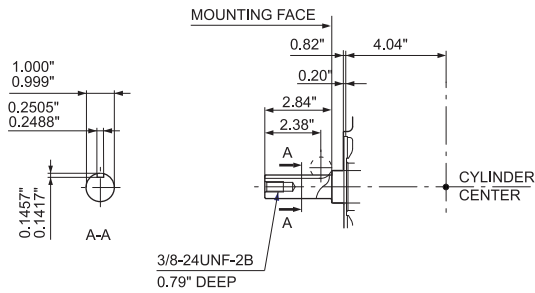
4 HOLES 5/16-24UNF-2B
0.63" DEEP



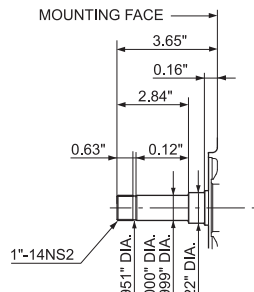
Generator Shaft Extension (DH)



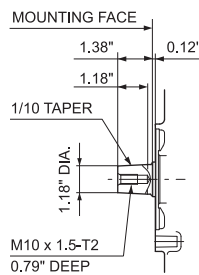
Keyway Shaft Extension (DU)



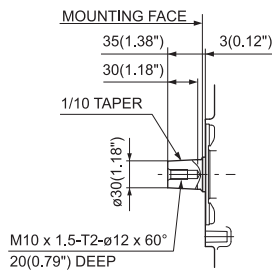
Pump Shaft Extension (DP)



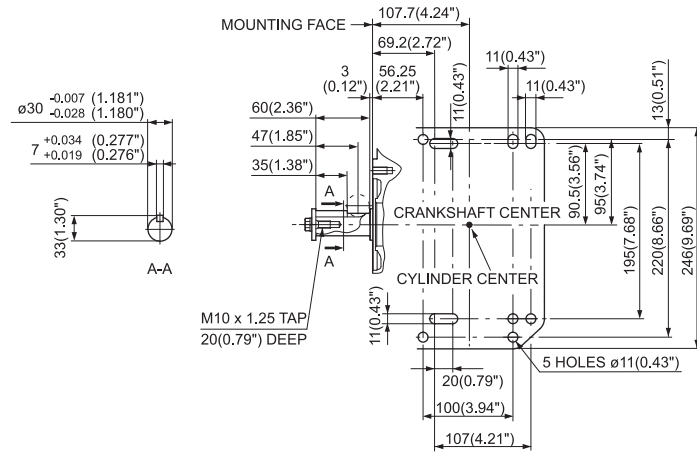
Standard Taper Shaft



Generator Shaft Extension (Metric-STD)



D type



B type

