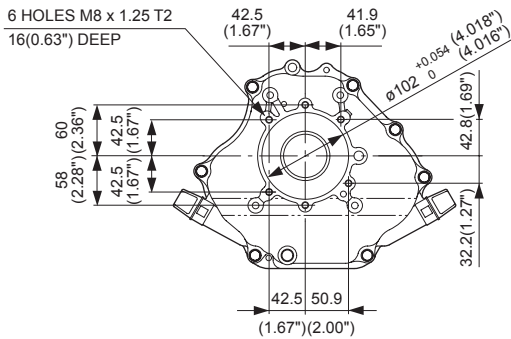
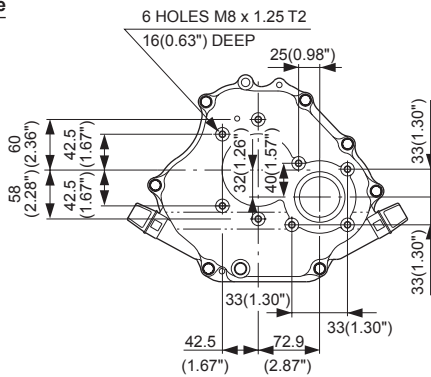


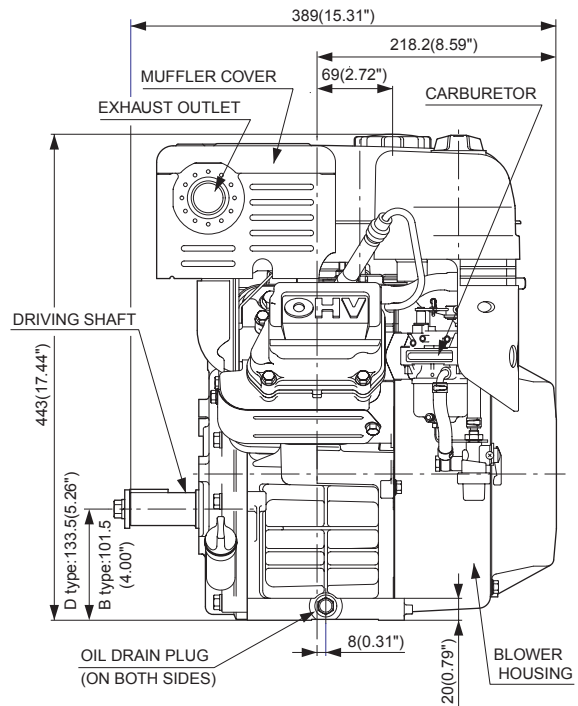
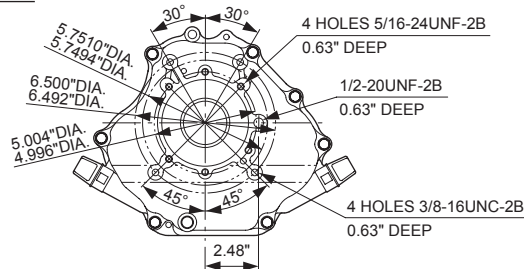
**D Type**



**B Type**

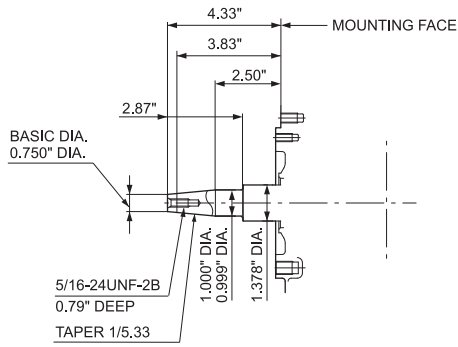


**SAE "B" Flange**

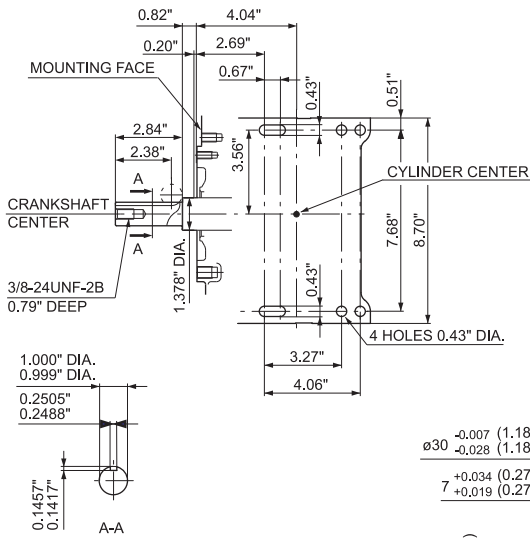


**EH41**

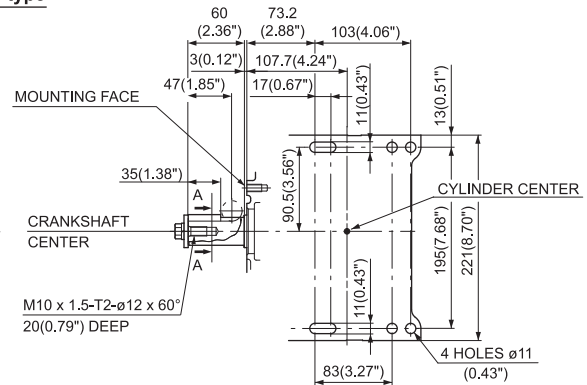
**Generator Shaft Extension (DH)**



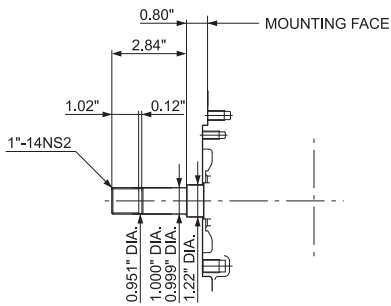
**Keyway Shaft Extension (DU)**



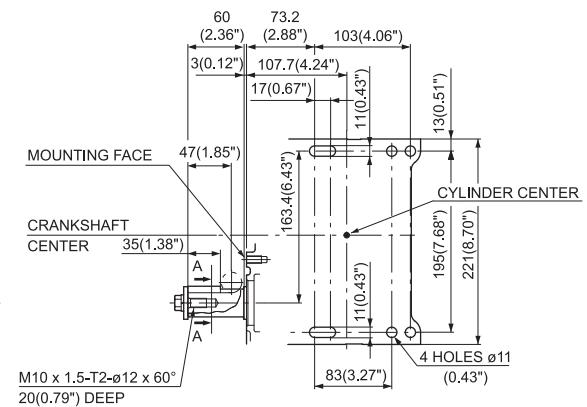
**D type**



**Pump Shaft Extension (DP)**



**B type**



**Generator Shaft Extension (Metric-STD)**

