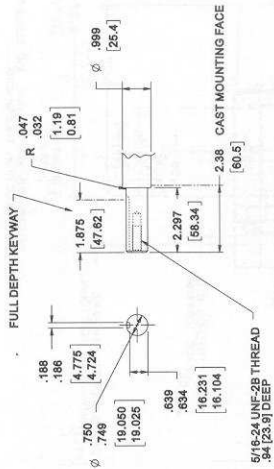
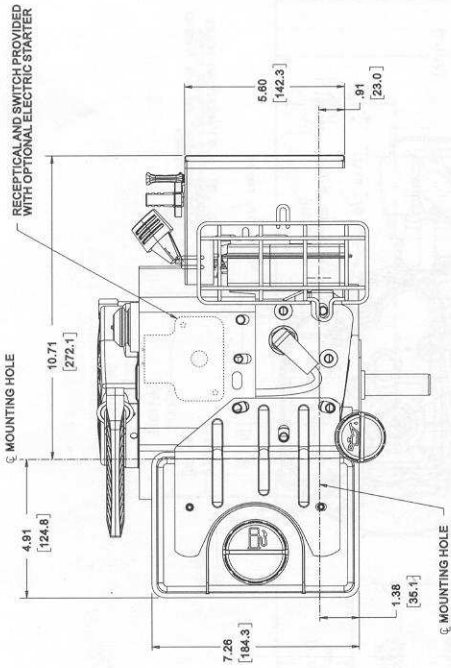


# LH195EA (HSSK50)



CRANKSHAFT EXTENSION #3 (STANDARD)

DIMENSIONS ARE NOMINAL AND SUBJECT TO PRODUCTION TOLERANCES  
DIMENSIONS SHOWN IN [ ] ARE MILLIMETERS

