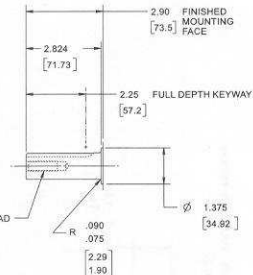
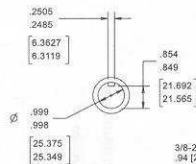
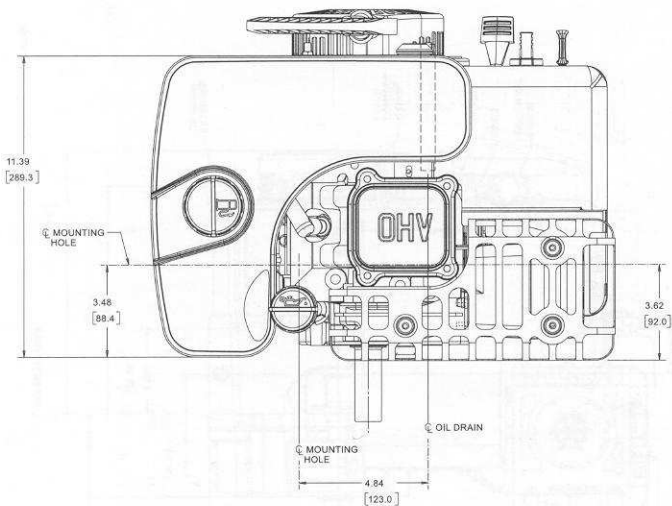


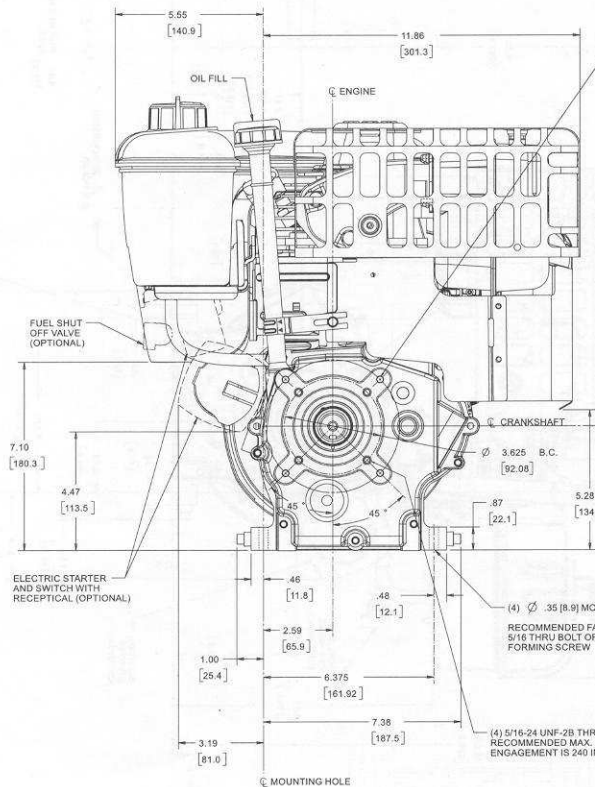
OH358SA (OHSK130)



CRANKSHAFT EXTENSION #4 (STANDARD)

DIMENSIONS ARE NOMINAL AND SUBJECT TO PRODUCTION TOLERANCES.

DIMENSIONS IN [] ARE MILLIMETERS.



OPTIONAL 5.00 [127.0] B.C. WITH (4) 5/16-24 UNF-2B TAPPED HOLES .62 [15.7] DEEP

