

# 6.5 HP INTEK™ PRO Model Series 123300

Displacement 12.57 cu. in. (206 cc)

Bore 2.69 in. (68.3 mm)

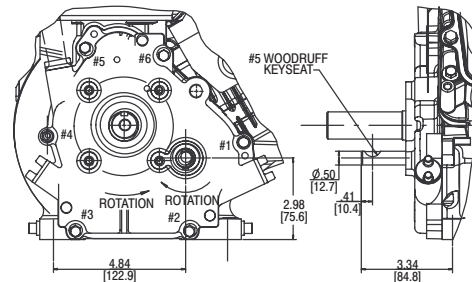
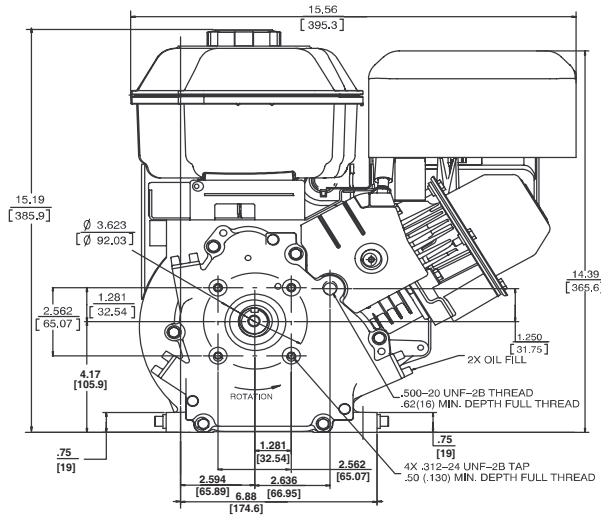
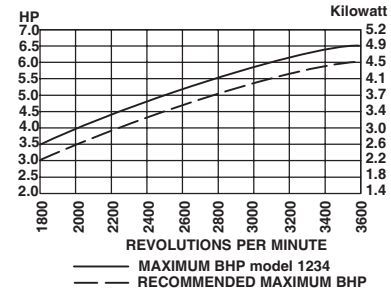
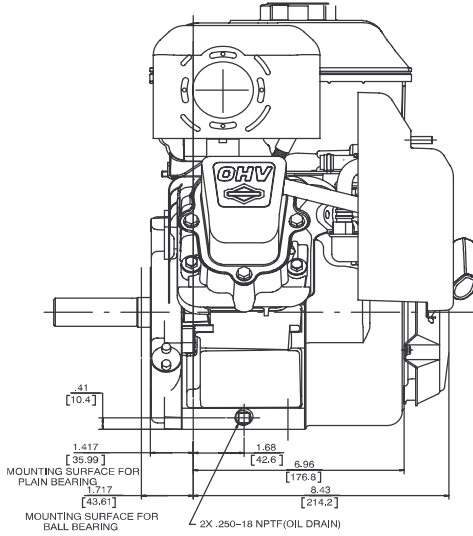
Stroke 2.2 in. (55.8 mm)

Oil Capacity 20 fl. oz. (0.60 l)



## Features:

- Dura-Bore™ cast iron cylinder sleeve for extended life
- Float carburetor for consistent easy starting
- Maintenance-free Magnetron® electronic ignition for quick, dependable starts
- Dual-Clean™ air cleaner pleated paper filter with a foam pre-cleaner ensures maximum protection for extended engine life
- Overhead valve design (OHV) for cooler operation and longer valve life
- Buyer protection package provides two-year consumer engine warranty
- Extended oil fill
- Low oil sense device



| Model Type | Shipping Weight | Crankshaft | Crankshaft (P.T.O.) Extension                                    | Dimension  | Starter Position | Bolt-On/Changeable | Oil Filler & Drain | Governor | Controls | Manual Choke | Fuel Tank (Quarts) | Rocker Stop Switch | Oil Sensor | Flange Mtg. | Top Governor Speed | Notes |
|------------|-----------------|------------|--|------------|------------------|--------------------|--------------------|----------|----------|--------------|--------------------|--------------------|------------|-------------|--------------------|-------|
| 123332     |                 |            |  |            |                  |                    |                    |          |          |              |                    |                    |            |             |                    |       |
| 0035       | 42              | 699441     | Threaded 5/8-18  | 2-27/64(c) | 10:30            | D                  | M                  | MF       | X        | 4            | X                  | X                  | X          |             | 4000               | •     |
| 0036       | 42              | 699443     | 3/4" dia., Keyway, tapped 5/16-24                                | 2-27/64(c) | 10:30            | D                  | M                  | R/AG/MF  | X        | 4            | X                  | X                  | X          |             | 3600               | •     |
| 123337     |                 |            |  |            |                  |                    |                    |          |          |              |                    |                    |            |             |                    |       |
| 0050       | 44              | 699443     | 3/4" dia., Keyway, tapped 5/16-24                                | 2-27/64(c) | 10:30            | D                  | M                  | R/AG/MF  | X        | 4            | X                  | X                  | X          |             | 3600               | •□    |
| 123352     |                 |            |  |            |                  |                    |                    |          |          |              |                    |                    |            |             |                    |       |
| 0049       | 47              | 699444     | 6 to 1 Gear reduction CCW rotation, Gear Shaft 3/4" dia., Keyway | 2(a)       | 10:30            | D                  | M                  | R/AG/MF  | X        | 4            | X                  | X                  | X          |             | 3600               |       |

• Ball bearing PTO and DU magneto side □ Engine equipped with 12 volt gear drive starter and 1.5 AMP DC alternator