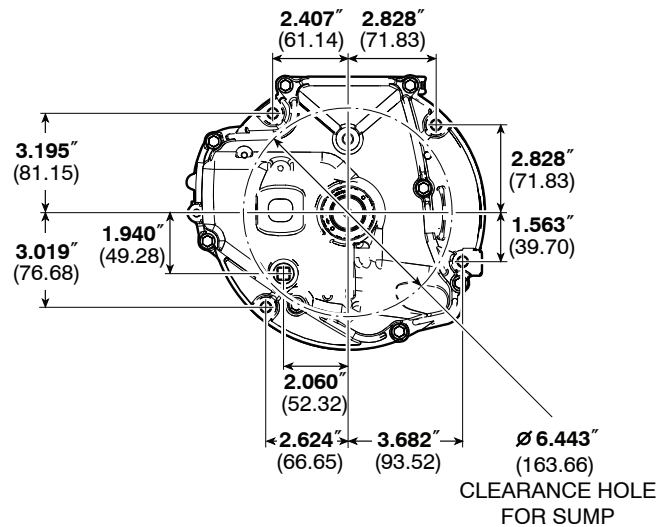
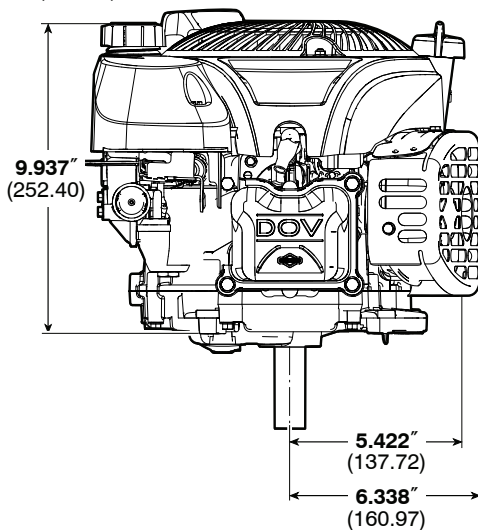
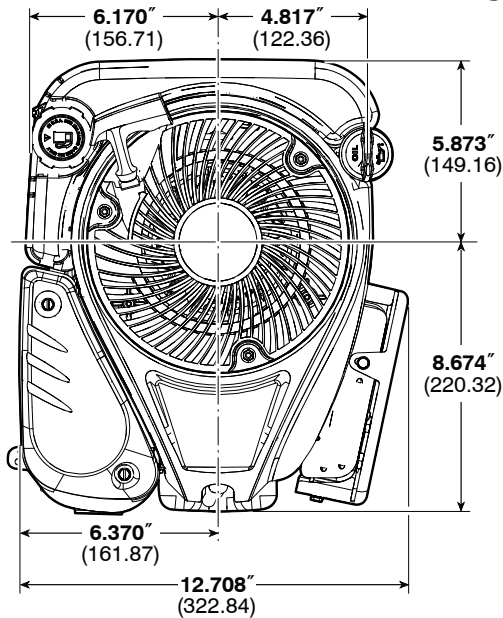


# 7.00 Gross Torque 161 CC

Bore 2.52 in. (64.0 mm)

Stroke 1.97 in. (50.0 mm)

Oil Capacity 18-20 fl. oz. (0.53 - 0.59 L)



## Features:

- Direct overhead valve (DOV) technology features fewer moving parts for quieter operation
- Ready Start provides easy no prime/ no choke starting
- Large rewind starter reduces pulling effort for easy starts
- Maintenance-free Magnetron® electronic ignition for quick, dependable starts
- Mechanical compression release for smooth, quick starting
- Mechanical torque control for additional power
- Dual-Clean™ pleated paper filter with foam pre-cleaner ensures maximum protection for extended engine life
- Composite cam and aluminized Lo-Tone muffler for quieter operation
- One-Start™ float carburetor assures consistent one-pull starts
- Buyer protection package provides two-year consumer engine warranty

Model Type	Shipping Weight	Crankshaft	Crankshaft (P.T.O.) Extension	Dimension	Starter Position Bolt-On/Changeable	Heavy Flywheel	Ext. Starter Rope	Governor	Controls	Fuel Tank (Quarts)	Top Governor Speed	Notes
100602												
0015	793615	Tapped 3/8-24, 2 WK & Keyway, 7/8" dia.	3-5/32(b)	5:30	X	M	MF/R	1.6	3100	▼		
0025	793426	Tapped 3/8-24, 2 WK & Keyway, 25 mm dia.	3-5/32(b)	5:30	X	M	MF/R	1.6	3100	▼		

▼ The features on this engine are designed to meet Section 1205.5 of the Consumer Product Safety Commission Safety Standards.