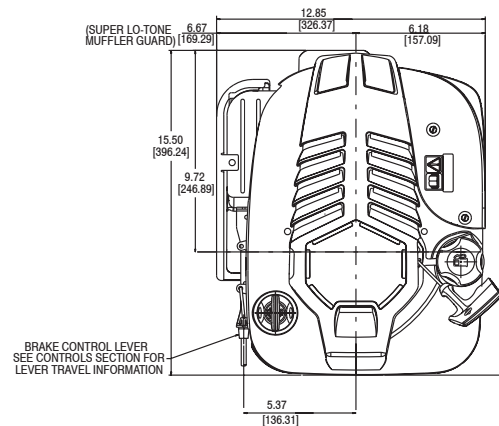
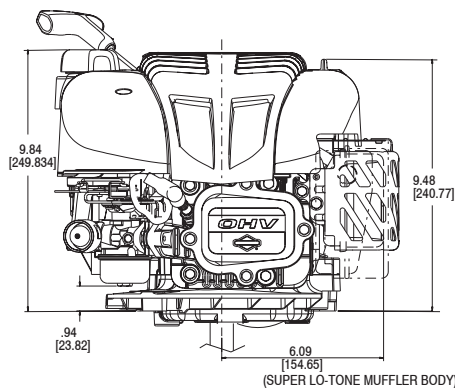
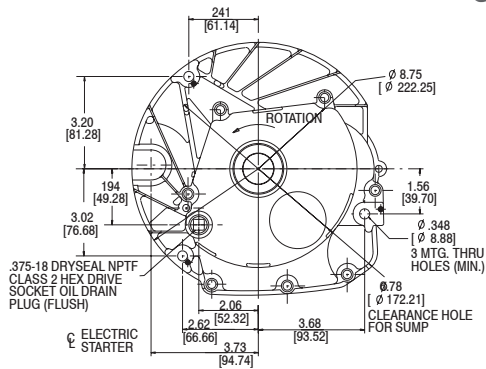


8.25 Gross Torque 190 CC

Bore 2.69 in. (68.3 mm)

Stroke 2.04 in. (51.8 mm)

Oil Capacity 20-22 fl. oz. (0.59 - 0.65 L)



Features:

- Dura-Bore™ cast iron cylinder sleeve for extended life
- One-Start™ float carburetor assures consistent one-pull starts
- Large rewind starter reduces pulling effort for easy starts
- Maintenance-free Magnetron® electronic ignition for quick, dependable starts
- Mechanical torque control for additional power
- Composite camshaft and aluminized Lo-Tone muffler for quiet operation
- Dual-Clean™ air cleaner pleated paper filter with a foam pre-cleaner ensures maximum protection for extended engine life
- Overhead valve design (OHV) for cooler operation and longer valve life
- Buyer protection package provides two-year consumer engine warranty

| Model Type | Shipping Weight | Crankshaft | Crankshaft (P.T.O.) Extension | Dimension | Starter Position | Ext. Starter Rope | Governor | Controls | Primer Carburetor | Heavy Flywheel | Oil Pump w/Filter | Fuel Tank (Quarts) | Top Governor Speed | Notes |
|---------------|-----------------|------------|--|-----------|------------------|-------------------|----------|----------|-------------------|----------------|-------------------|--------------------|--------------------|-------|
| 12Q502 | | | | | | | | | | | | | | |
| 0015 | 33 | 691457 | Tapped 3/8-24, 2 WK & Keyway, 7/8" dia. | 3-5/32(b) | 6 | X | M | R/MF | X | | | 1.6 | 3100 | ▼ |
| 12Q507 | | | | | | | | | | | | | | |
| 0062 | | 691456 | Tapped 3/8-24, 2 WK & Keyway, 25 mm dia. | 3-5/32(b) | 6 | X | M | R/MF | X | | | 1.6 | 3100 | ▼■ |
| 12Q512 | | | | | | | | | | | | | | |
| 0121 | 37 | 691456 | Tapped 3/8-24, 2 WK & Keyway, 25 mm dia. | 3-5/32(b) | 6 | | M | R/MF | | X | | 1.6 | 3600 | |
| 0123 | 32 | 693291 | Tapped 3/8-24, 2 WK & Keyway, 7/8" dia. | 2-7/16(b) | 12 | | M | R | | X | | 1.6 | 3600 | |
| 12Q572 | | | | | | | | | | | | | | |
| 0020 | 36 | 691457 | Tapped 3/8-24, 2 WK & Keyway, 7/8" dia. | 3-5/32(b) | 6 | X | M | R/MF | X | | X | 1.6 | 3100 | ▼ |

▼ The features on this engine are designed to meet Section 1205.5 of the Consumer Product Safety Commission Safety Standards.

■ Engine equipped with 12 Volt Gear Drive Starter and .5 Amp DC Alternator.