

9 HP PowerBuilt™ OHV Model Series 212700

Displacement 21 cu. in. (344.1 cc)

Bore 3.44 in. (87.4 mm)

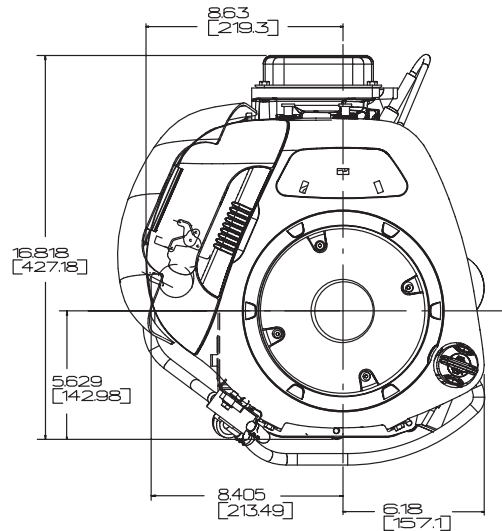
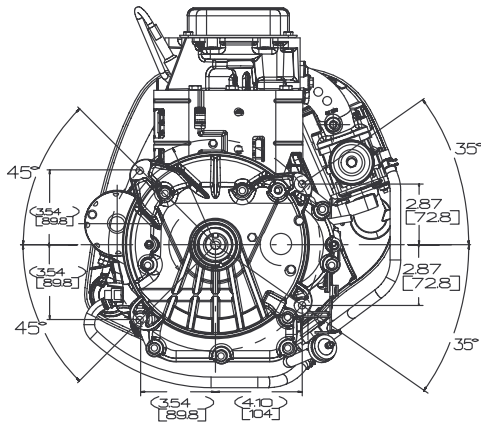
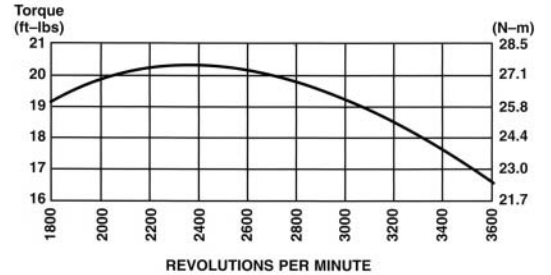
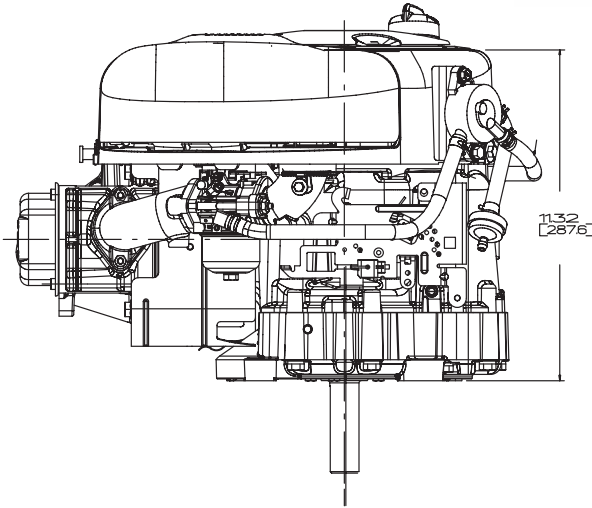
Stroke 2.27 in. (57.7 mm)

Oil Capacity 48 fl. oz. (1.4 l)



Features:

- Aluminum alloy bore for cooler operation
- Float carburetor for consistent easy starting
- Maintenance-free Magnetron® electronic ignition for quick, dependable starts
- Maxi-Clean™ automotive type pleated paper air filter provides superior protection for long engine life
- Overhead valve design (OHV) for cooler operation and longer valve life
- Buyer protection package provides two-year consumer engine warranty.



| Model Type | Shipping Weight | Crankshaft | Crankshaft (P.T.O.) Extension | Dimension | Starter Position | Bolt-On/Changeable | Ext. Oil Fill & Dipstick | Governor | Controls | Pulse Fuel Pump | Choke-A-Matic® | Ground Wire Terminal | Fuel Tank (Quarts) | Top Governor Speed | Notes |
|------------|-----------------|------------|---------------------------------|-----------|------------------|--------------------|--------------------------|----------|----------|-----------------|----------------|----------------------|--------------------|--------------------|-------|
| 212702 | | | | | | | | | | | | | | | |
| 0015 | 65 | 698382 | Tapped 7/16-20, Keyway, 1" dia. | 3-5/32(b) | 9 | X | M | R | | X | X | ■ | 3400 | | |
| 212707 | | | | | | | | | | | | | | | |
| 0025 | 72 | 698382 | Tapped 7/16-20, Keyway, 1" dia. | 3-5/32(b) | 9 | X | M | R | X | X | X | ■ | 3600 | ▼ | |
| 0026 | 72 | 698382 | Tapped 7/16-20, Keyway, 1" dia. | 3-5/32(b) | | X | M | R | X | X | X | ■ | 3600 | ▼ | |

■ Fuel tank omitted.

▼ Engine equipped with 12 Volt Gear Drive Starter and Dual Circuit Alternator. (3 Amp DC - 5 Amp AC)