

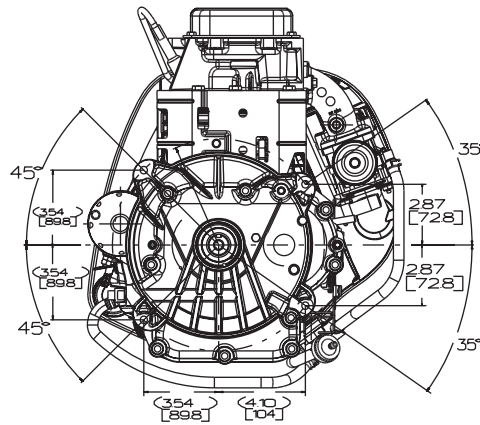
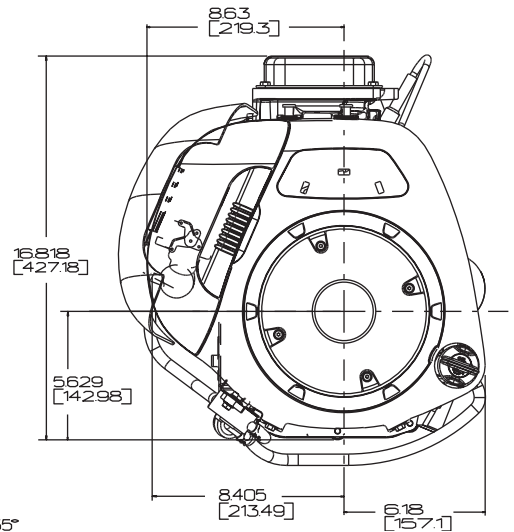
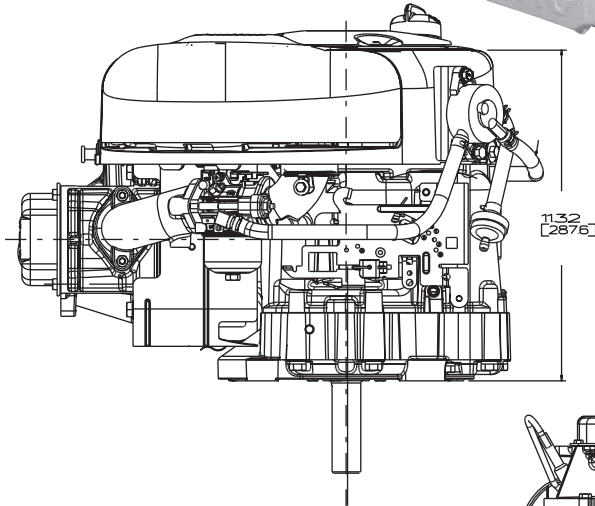
Power Built™ 10.5 Gross HP 344 CC

Bore 3.44 in. (87.4 mm)
Stroke 2.27 in. (57.7 mm)
Oil Capacity 48 fl. oz. (1.4 L)



Features:

- Aluminum alloy bore for cooler operation
- Float carburetor for consistent easy starting
- Maintenance-free Magnetron® electronic ignition for quick, dependable starts
- Maxi-Clean™ automotive type pleated paper air filter provides superior protection for long engine life
- Overhead valve design (OHV) for cooler operation and longer valve life
- Buyer protection package provides two-year consumer engine warranty



Model Type	Shipping Weight	Crankshaft	Crankshaft (P.T.O.) Extension	Dimension	Starter Position Bolt-On/Changeable	Ext. Oil Fill & Dipstick	Governor	Controls	Pulse Fuel Pump	Choke-A-matic R	Ground Wire Terminal	Fuel Tank (Quarts)	Top Governor Speed	Notes
215702														
0015	65	698382	Tapped 7/16-20, Keyway, 1" dia.	3-5/32(b)	9	X	M	R		X	X	■	3400	
215707														
0025	72	698382	Tapped 7/16-20, Keyway, 1" dia.	3-5/32(b)	9	X	M	R	X	X	X	■	3600	▼
0026	72	698382	Tapped 7/16-20, Keyway, 1" dia.	3-5/32(b)		X	M	R	X	X	X	■	3600	▼

■ Fuel tank omitted. ▼ Engine equipped with 12 Volt Gear Drive Starter and Dual Circuit Alternator. (3 Amp DC - 14 Volts AC)