

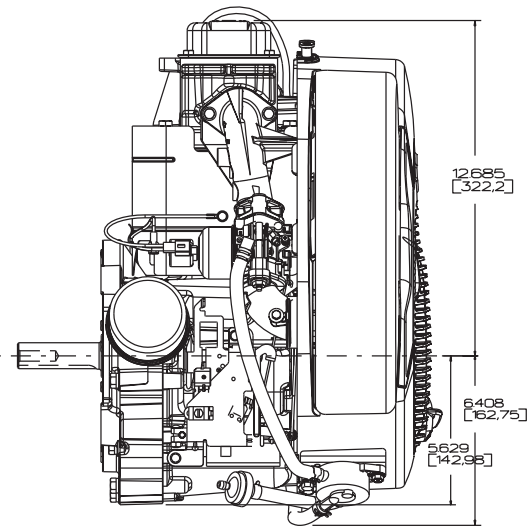
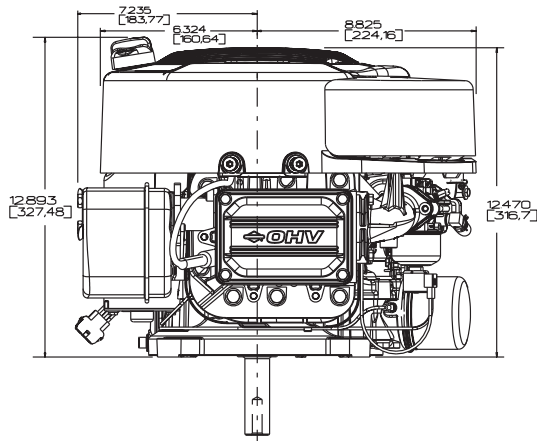
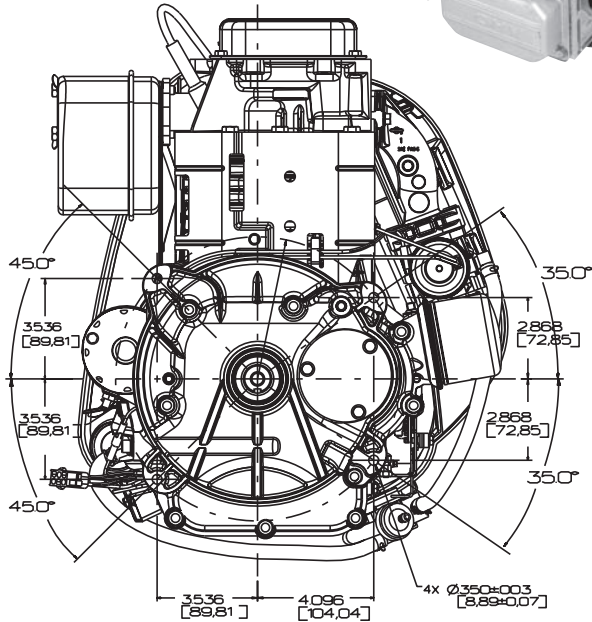
# INTEK™ 18.5 Gross HP

## 500 CC

Bore 3.562 in. (90.4 mm)

Stroke 3.062 in. (77.8 mm)

Oil Capacity 48 fl. oz. (1.4 L)



### Features:

- Dura-Bore™ cast iron cylinder sleeve for extended life
- Float carburetor for consistent easy starting
- Maintenance-free Magnetron® electronic ignition for quick, dependable starts
- Dual-Clean™ air cleaner pleated paper filter with a foam pre-cleaner ensures maximum protection for extended engine life
- Overhead valve design (OHV) for cooler operation and longer valve life
- Patented linear balancing system provides smoother performance
- Buyer protection package provides two-year consumer engine warranty

| Model Type | Shipping Weight | Crankshaft | Crankshaft (P.T.O.) Extension   | Dimension | Starter Position Bolt-On/Changeable | Ext. Oil Fill & Dipstick | Governor | Controls | Pulse Fuel Pump | Oil Pump with Filter | Choke-A-Matic® | Ground Wire Terminal | Fuel Tank (Quarts) | Top Governor Speed | Notes |
|------------|-----------------|------------|---------------------------------|-----------|-------------------------------------|--------------------------|----------|----------|-----------------|----------------------|----------------|----------------------|--------------------|--------------------|-------|
| 31N707     |                 |            |                                 |           |                                     |                          |          |          |                 |                      |                |                      |                    |                    |       |
| 0026       | 88              | 697127     | Tapped 7/16-20, Keyway, 1" dia. | 3-5/32(b) |                                     | X                        | M        | R        | X               |                      | X              | X                    | ■                  | 3300               | ▼     |

■ Fuel tank omitted. ▼ Engine equipped with 12 Volt Gear Drive Starter and 9 Amp DC Alternator.