

Section 1

Safety and General Information

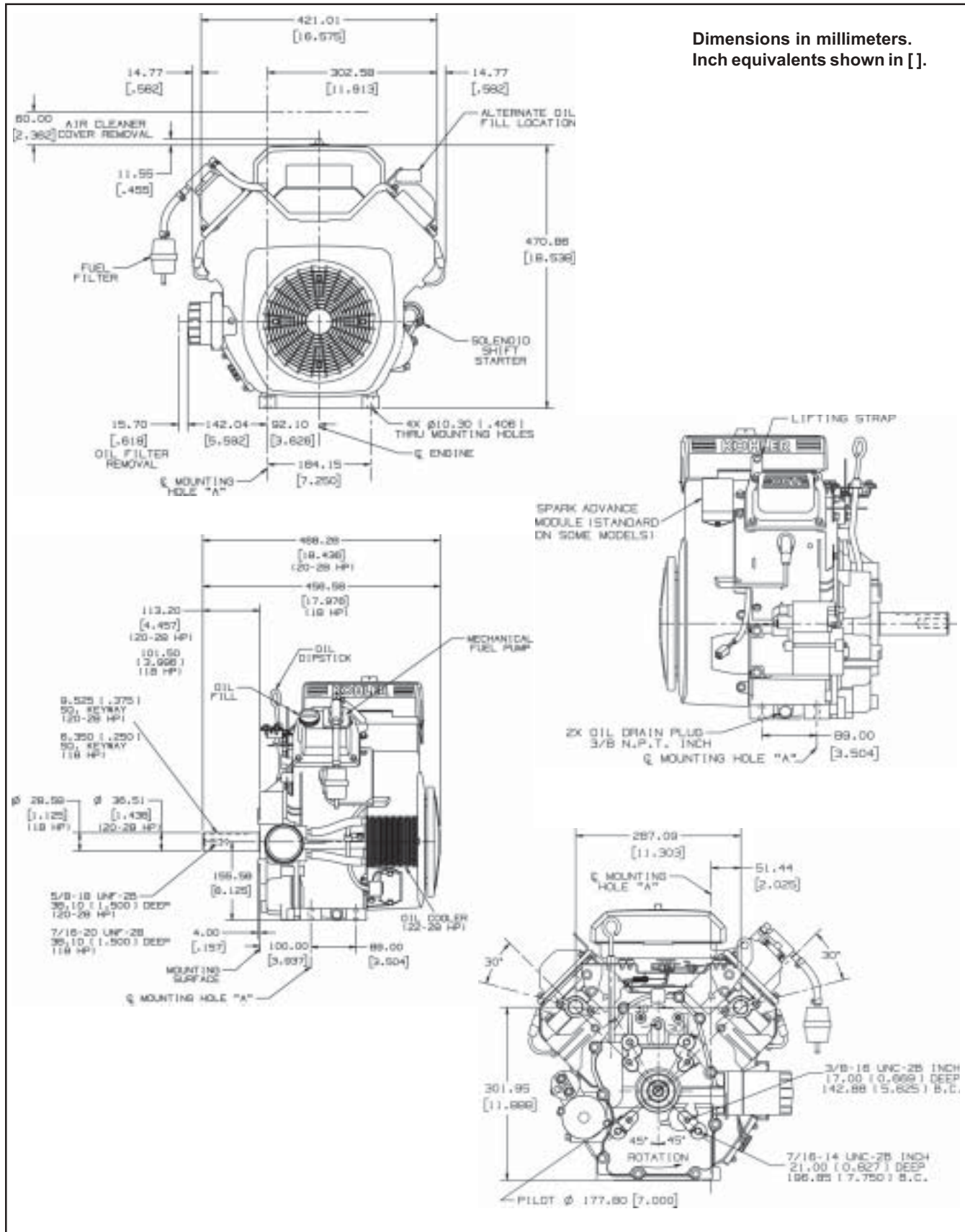


Figure 1-4. Typical Engine Dimensions CH Series with Standard Flat Air Cleaner.

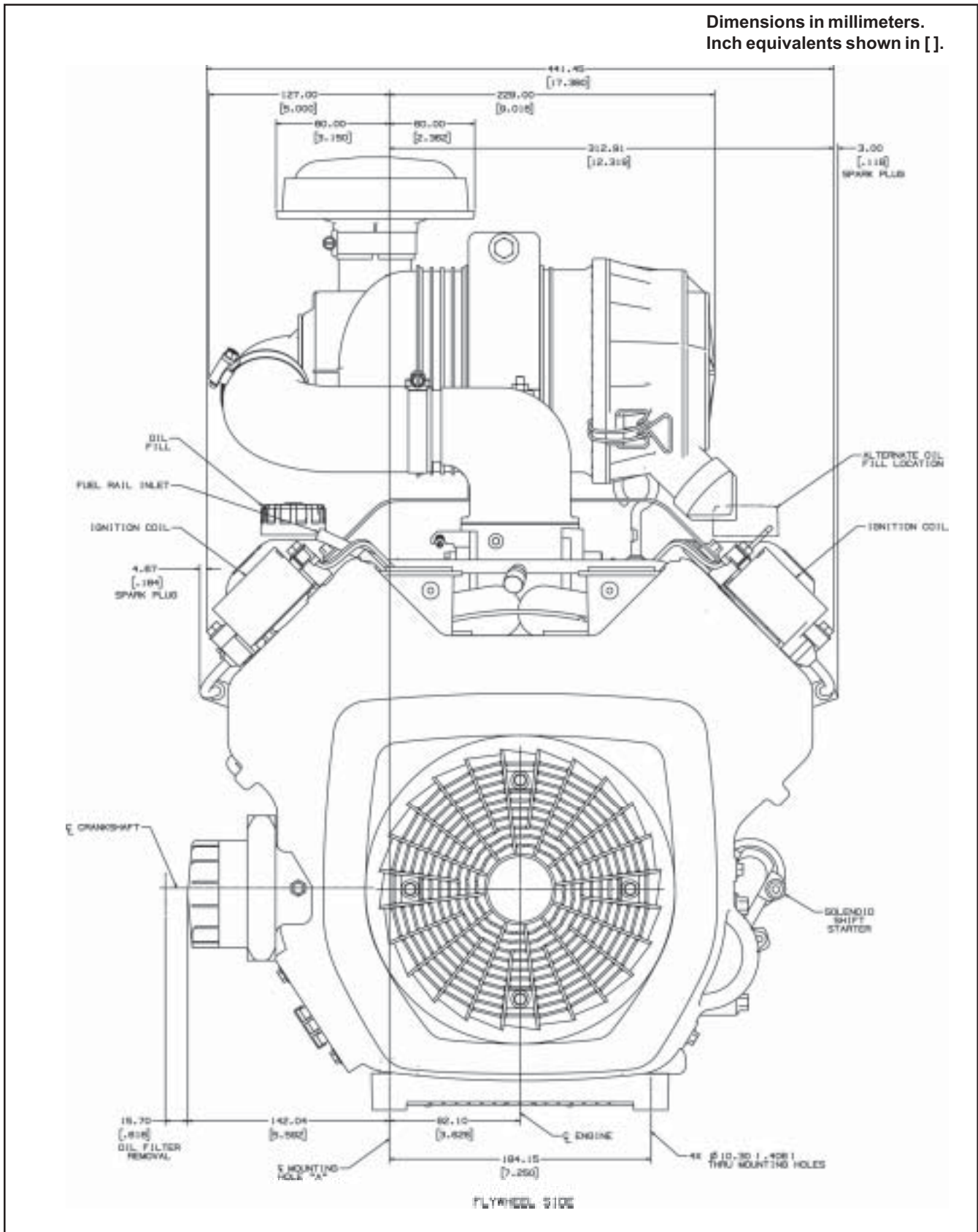


Figure 1-5. Typical Engine Dimensions CH EFI Series with Heavy-Duty Air Cleaner.