

# Section 1

## Safety and General Information

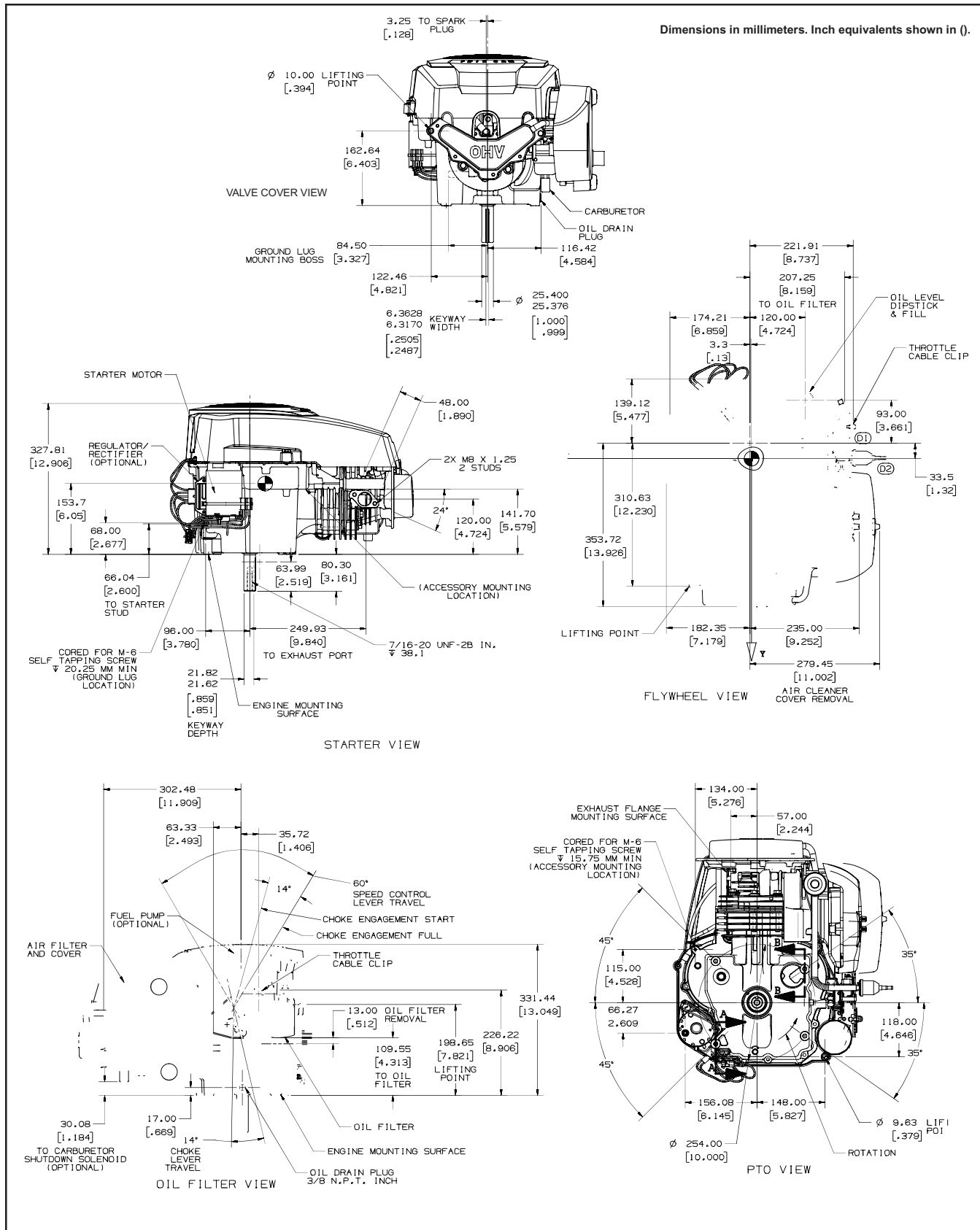


Figure 1-4. Typical Engine Dimensions.