

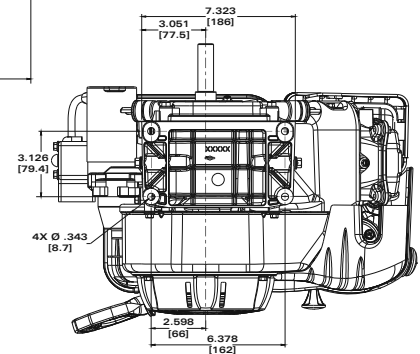
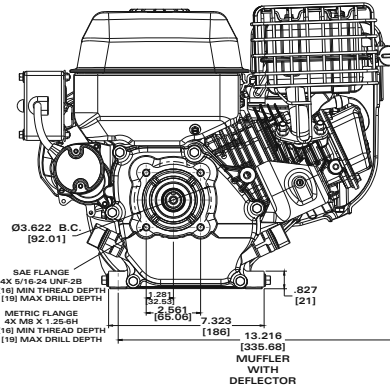
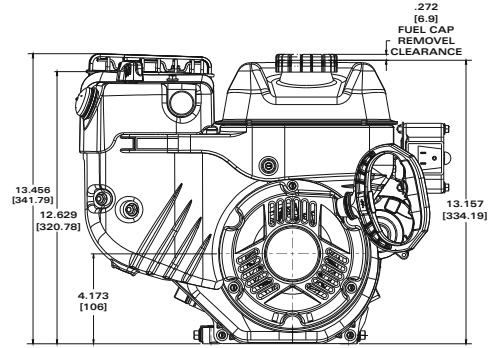
SNOW SERIES 7.50 GROSS TORQUE*

163 CC

Bore 2.68 in. (68.00 mm)

Stroke 1.77 in. (45.00 mm)

Oil Capacity 18-20 fl. oz. (0.54 - 0.59 L)



FEATURES:

Qualified to start down to -20° F

Specially-designed covers and recoil for protection in cold weather operations

Super Lo-Tone™ muffler option provides quieter operation

Oversized controls for easy starting and operation with gloves or mittens

Aluminized or coated mufflers resist corrosion for longer life and provide quiet operations

Electric starter option eliminates the need to pull a rope

Buyer protection package provides two-year limited consumer engine warranty**

MTT	Crankshaft #	P.T.O. Diameter	Drilled & Tapped	Keyway	Length	Starter Position	Controls	Flange Mtg.	Manual Choke	Remote Choke	Remote Stop Switch	Oil Sensor	Fuel Tank (Quarts)	Top Governor Speed	Notes
10D132															
0002	591291	3/4 in.	3/8-24	3/16-Str.	2-23/32	2:00	FC	X	X				3.1	3600	11
10D135															
0003	591290	7/8	5/16-24	3/16-Str.	3-11/64	10:00	FC	X	X				3.1	3400	11,21

*All power levels are stated gross torque at 2600 RPM per SAE J1940 as rated by Briggs & Stratton.

(11) PTO Ball Bearing

(21) Engine equipped with 110 Volt Gear Drive Starter