



## 6.75 GROSS TORQUE\*

### 190 CC

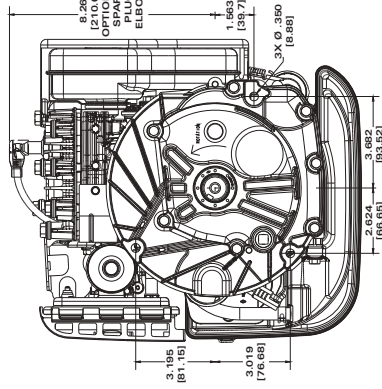
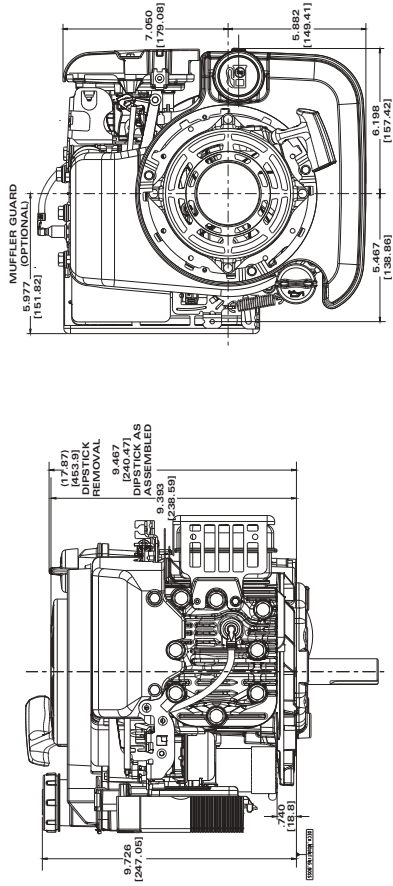
Bore 2.69 in. (68.3 mm)

Stroke 2.04 in. (51.8 mm)

Oil Capacity 18-20 fl. oz. (0.53 - 0.59 L)

### FEATURES:

- Super Lo-Tone™ muffler for quieter operation
- Meets U.S. EPA Phase 3 emissions standards that are 35% stricter than the previous standards without the use of a catalyst
- Optional ReadyStart® starting system with no prime, no choke, no worries, just pull for power
- **Buyer protection package provides two-year limited consumer engine warranty**



MTT	Shipping Weight	Crank Position (H/V)	Crankshaft #	Crankshaft (P.T.O.) Extension	Starter Position	heavy Flywheel	Ext. Starter Rope	Governor Controls	Fuel Tank (Quarts) Carburetor	Primer	5 Position Choke	ReadyStart®	High Debris Air Inlet	Top Governor Speed	Notes
128M02		V			5			M MF	1.0			X		3100	
0025			797017												
128M07					5			M MF	1.0			X		3100	◆
5062			797017												

◆ Engine equipped with 12 volt Gear Drive Starter and .5 Amp DC Alternator

\*All power levels are stated gross torque at 2600 RPM per SAE J1940 as rated by Briggs & Stratton.