

9 HP INTEK™



Model Series 212900

Displacement 21.0 cu. in. (344.1 cc)

Bore 3.44 in. (87.4 mm)

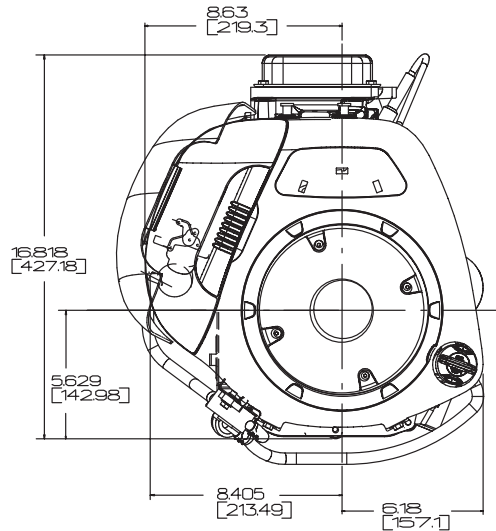
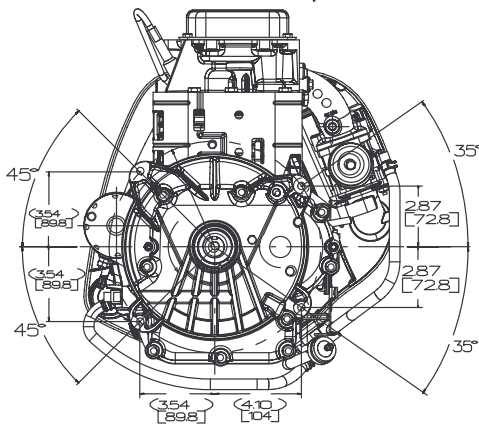
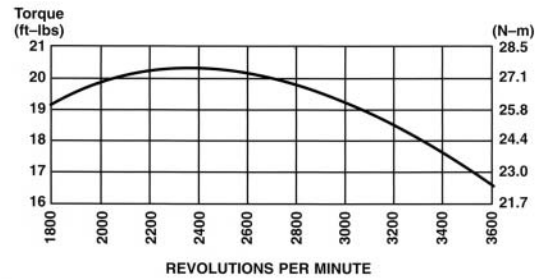
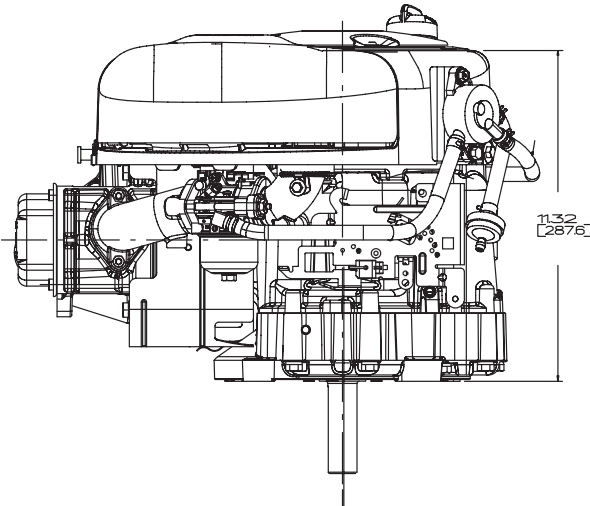
Stroke 2.27 in. (57.7 mm)

Oil Capacity 48 fl. oz. (1.4 l)



Features:

- Dura-Bore™ cast iron cylinder sleeve for extended life
- Float carburetor for consistent easy starting
- Maintenance-free Magnetron® electronic ignition for quick, dependable starts
- Dual-Clean™ air cleaner pleated paper filter with a foam pre-cleaner ensures maximum protection for extended engine life
- Overhead valve design (OHV) for cooler operation and longer valve life
- Buyer protection package provides two-year consumer engine warranty.
- Patented linear balancing system provides smoother performance



For Fuel Tank Dimensions, see page 53.

Model Type	Shipping Weight	Crankshaft	Crankshaft (P.T.O.) Extension	Dimension	Starter Position	Bolt-On/Changeable	Ext. Oil Fill & Dipstick	Governor	Controls	Pulse Fuel Pump	Oil Pump with Filter	Choke-A-Matic®	Ground Wire Terminal	Fuel Tank (Quarts)	Top Governor Speed	Notes
212902																
0015	70	697390	Tapped 7/16-20, Keyway, 1" dia.	3-5/32(b)	9	X	M	R			X	X	■	3400		
0020	71	697390	Tapped 7/16-20, Keyway, 1" dia.	3-5/32(b)	9	X	M	R	X		X	X	3	3400		
212907																
0025	76	697390	Tapped 7/16-20, Keyway, 1" dia.	3-5/32(b)	9	X	M	R			X	X	■	3600	▼	
0026	77	697390	Tapped 7/16-20, Keyway, 1" dia.	3-5/32(b)		X	M	R			X	X	■	3600	▼	
0028	79	697390	Tapped 7/16-20, Keyway, 1" dia.	3-5/32(b)	9	X	M	R	X		X	X	3	3600	▼	

■ Fuel tank omitted.

▼ Engine equipped with 12 Volt Gear Drive Starter and Dual Circuit Alternator. (3 Amp DC - 5 Amp AC)