

14.5 HP INTEK™ I/C. Model Series 280H00



Displacement 28.4 cu. in. (465 cc)

Bore 3.44 in. (87.3 mm)

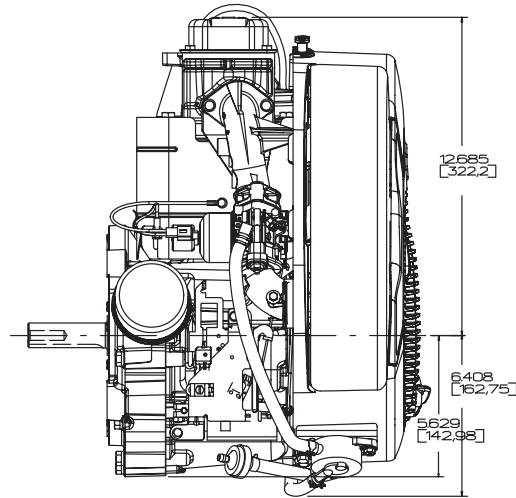
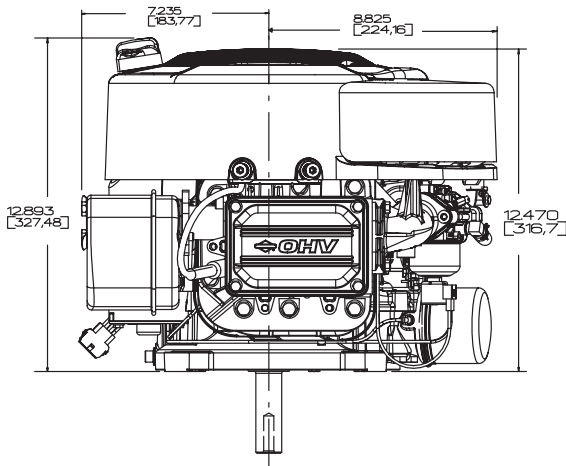
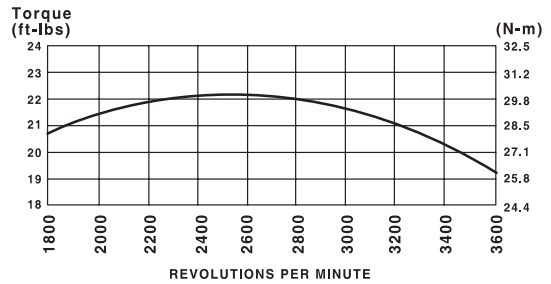
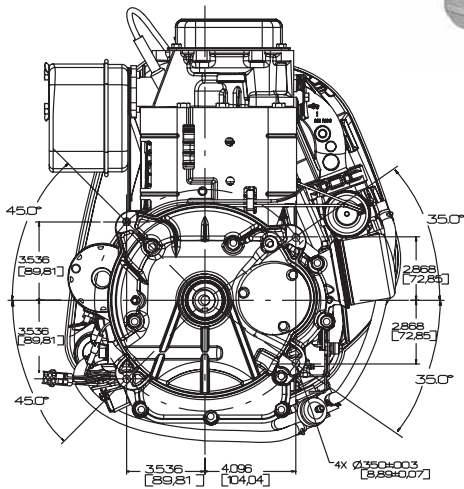
Stroke 3.06 in. (77.7 mm)

Oil Capacity 48 fl. oz. (1.4 l)



Features:

- Dura-Bore™ cast iron cylinder sleeve for extended life
- Float carburetor for consistent easy starting
- Maintenance-free Magnetron® electronic ignition for quick, dependable starts
- Dual-Clean™ air cleaner pleated paper filter with a foam pre-cleaner ensures maximum protection for extended engine life
- Overhead valve design (OHV) for cooler operation and longer valve life
- Buyer protection package provides two-year consumer engine warranty.
- Patented linear balancing system provides smoother performance



Model Type	Shipping Weight	Crankshaft	Crankshaft (P.T.O.) Extension	Dimension	Starter Position	Bolt-On/Changeable	Ext. Oil Fill & Dipstick	Governor	Controls	Pulse Fuel Pump	Oil Pump with Filter	Choke-A-Matic®	Ground Wire Terminal	Fuel Tank (Quarts)	Top Governor Speed	Notes
280H07																
0005	697127	Tapped 7/16-20, Keyway, 1" dia.		3-5/32(b)	6	X	M	R			X	X	■	3300	▼	
0036	697127	Tapped 7/16-20, Keyway, 1" dia.		3-5/32(b)		X	M	R			X	X	■	3300	†	

■ Fuel tank omitted. ▼ Engine equipped with 12 Volt Gear Drive Starter and 9 Amp DC Alternator

† Engine equipped with 12 Volt Gear Drive Starter and Dual Circuit Alternator. (3 amp AC - 5 amp AC)