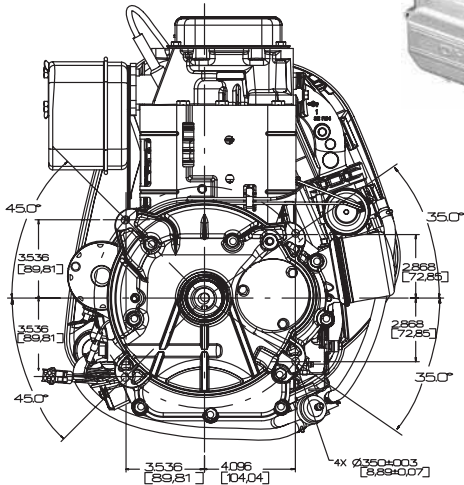


15.5 HP INTEK™ I/C. Model Series 285H00

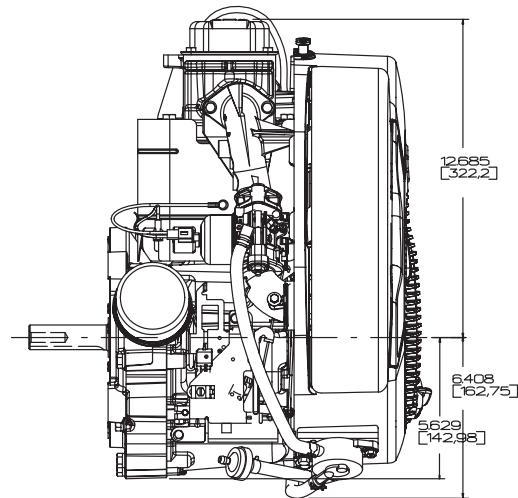
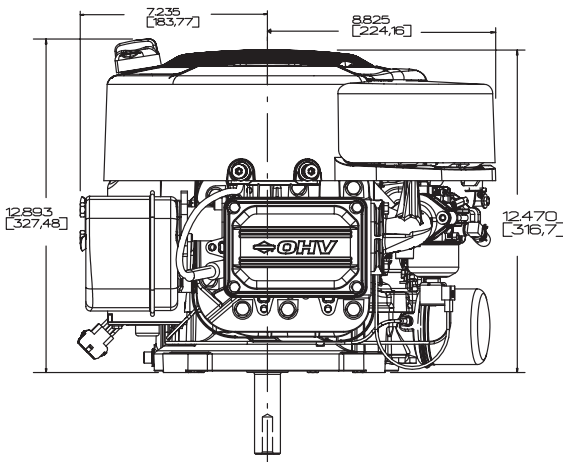
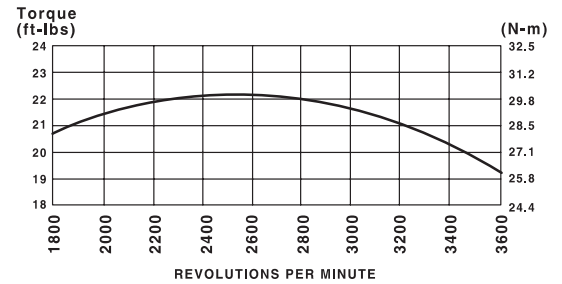


Displacement 28.4 cu. in. (465 cc)
 Bore 3.44 in. (87.3 mm)
 Stroke 3.06 in. (77.7 mm)
 Oil Capacity 48 fl. oz. (1.4 l)



Features:

- Dura-Bore™ cast iron cylinder sleeve for extended life
- Float carburetor for consistent easy starting
- Maintenance-free Magnetron® electronic ignition for quick, dependable starts
- Dual-Clean™ air cleaner pleated paper filter with a foam pre-cleaner ensures maximum protection for extended engine life
- Overhead valve design (OHV) for cooler operation and longer valve life
- Buyer protection package provides two-year consumer engine warranty.
- Patented linear balancing system provides smoother performance



Model Type	Shipping Weight	Crankshaft	Crankshaft (P.T.O.) Extension	Dimension	Starter Position	Bolt-On/Changeable	Ext. Oil Fill & Dipstick	Governor	Controls	Pulse Fuel Pump	Oil Pump with Filter	Choke-A-Matic®	Ground Wire Terminal	Fuel Tank (Quarts)	Top Governor Speed	Notes
285H07																
0026	89	697127	Tapped 7/16-20, Keyway, 1" dia.	3-5/32(b)	X	M	R		X	X	X	■	3300		▼	
0028	86	697127	Tapped 7/16-20, Keyway, 1" dia.	3-5/32(b)	X	M	R			X	X	■	3300		†	
285H77																
0036	89	697127	Tapped 7/16-20, Keyway, 1" dia.	3-5/32(b)	X	M	R		X	X	X	X	■	3300		▼

■ Fuel tank omitted. ▼ Engine equipped with 12 Volt Gear Drive Starter and 9 Amp DC Alternator
 † Engine equipped with 12 Volt Gear Drive Starter and 16 Amp DC Alternator.