

16 HP VANGUARD™ Model Series 303400

Displacement 29.3 cu. in. (480 cc)

Bore 2.68 in. (68 mm)

Stroke 2.60 in. (66 mm)

Oil Capacity:

48 fl. oz. (1.42 l) w/o Filter

56 fl. oz. (1.66 l) w/Filter

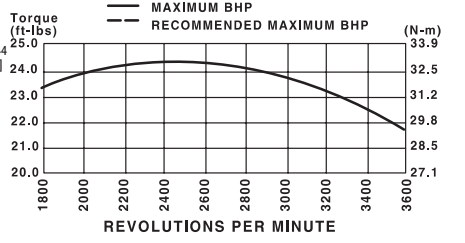
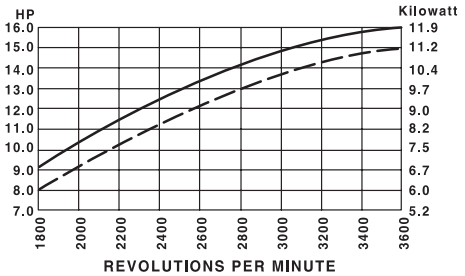
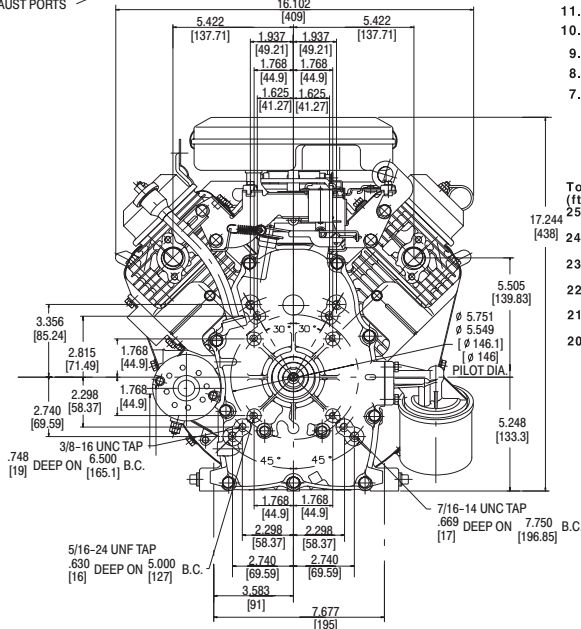
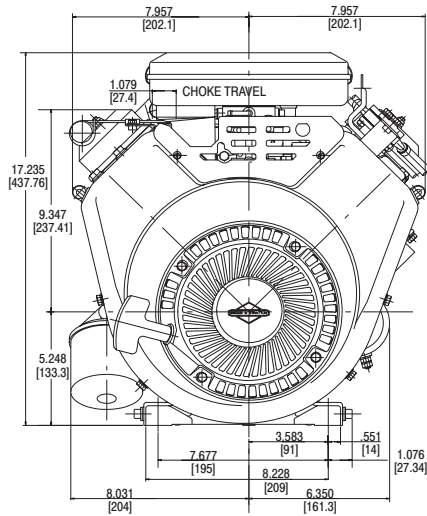
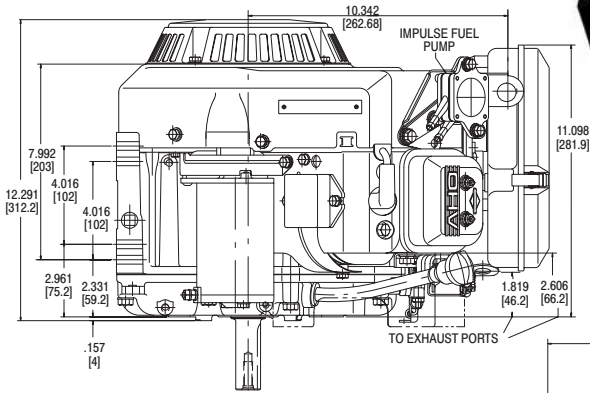


COMMERCIAL POWER



Features:

- Dura-Bore™ cast iron cylinder sleeve for extended life
- Float carburetor for consistent easy starting
- Maintenance-free Magnetron® electronic ignition for quick, dependable starts
- Dual-Clean™ air cleaner pleated paper filter with a foam pre-cleaner ensures maximum protection for extended engine life
- Full pressure lubrication with spin-on oil filter assures controlled lubrication for extended component life
- Overhead valve design (OHV) for cooler operation and longer valve life
- Buyer protection package provides two-year commercial engine warranty



See Engine Accessories & Products Catalog Form MS-3880 for Exhaust Manifold and Muffler Options.

Model Type	Shipping Weight	Crankshaft	Crankshaft (P.T.O.) Extension	Dimension	Starter Position Bolt-On/Changeable	Oil Filler & Drain	Governor	Controls	Exhaust System	Fuel Tank (Quarts)	Pulse Fuel Pump	Flange Mtg.	Oil Pump w/Filter	Manual & Remote Choke	Top Governor Speed	Notes
303442																
1327	95	692161	1" dia., Keyway, tapped 3/8-24	2-29/32(c)	9	★	M	AG/R/MF	•	9	X	X	X	X	3600	
303447																
1105	89	692163	Tapered, drill & tapped 5/16-24	3-51/64(c)	9	★	E	FC	•	■	X	X	X		3600	◆
1323	94	692161	1" dia., Keyway, tapped 3/8-24	2-29/32(c)	9	★	M	AG/R/MF	•	9	X	X	X	X	3600	◆
1368	103	692161	1" dia., Keyway, tapped 3/8-24	2-29/32(c)	9	★	M	AG/R/MF	•	9	X	X	X	X	3600	◆
1375	87	692161	1" dia., Keyway, tapped 3/8-24	2-29/32(c)	9	★	M	AG/R/MF	•	■	X	X	X	X	3600	◆
1377	88	692162	Threaded 1-14, 1" thread length	3-21/32(c)	9	★	M	AG/R/MF	•	■	X	X	X	X	3600	◆
1378	87	692163	Tapered, drill & tapped 5/16-24	3-51/64(c)	9	★	M	AG	•	■	X	X	X		3750	◆
1379	86	692161	1" dia., Keyway, tapped 3/8-24	2-29/32(c)	9	★	M	AG/R/MF	•	■	X	X	X	X	3600	◆

◆ Exhaust manifold and muffler omitted. ★ Oil fill and dipstick in cover; dual drain. ■ Fuel tank omitted.
♦ Engine equipped with 12 Volt Gear Drive Starter and 16 Amp DC Alternator with Starter Panel Assembly.