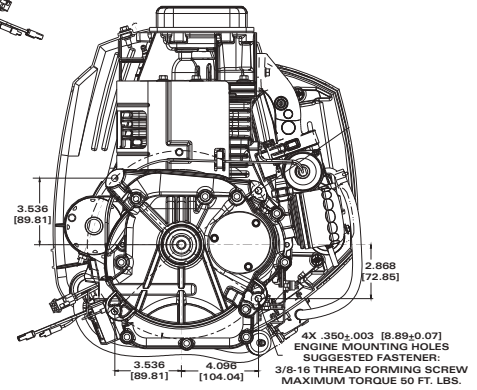
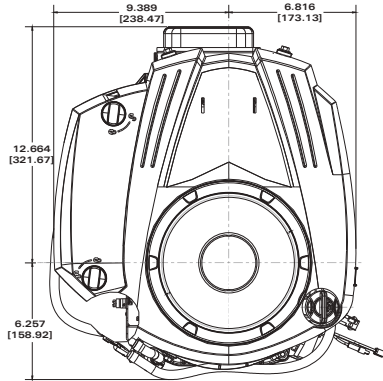
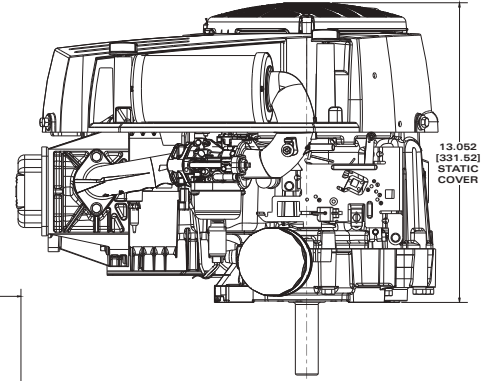


INTEK™ 19.0 GROSS HP†

540 CC

Bore 3.70 in. (94.00 mm)
Stroke 3.06 in. (77.80 mm)
Oil Capacity 48 fl. oz. (1.40 L)



FEATURES:

- Full pressure lubrication with premium oil and fuel filters provide longer maintenance intervals and greater longevity
- Advanced Debris Management System with our largest dual seal, cartridge-style air filter that provides maximum protection and extends engine life
- Chrome plated exhaust valves reduce valve wear, providing longer life
- Super-finished crank pin bearing reduces friction and heat to minimize wear under heavy load, for long life
- Mechanical Governor

Buyer protection package provides two-year limited consumer engine warranty**

MTT	Crankshaft #	P.T.O. Diameter	Drilled & Tapped	Keyway	Length	Starter Position	Controls	Fuel Pump, Integral	Oil Pump with Filter	Choke-A-Matic	ReadyStart®	Ground Wire Terminal	Remote Stop	Fuel Tank (Quarts)	Top Governor Speed	Notes
33R877	0003-G1	591763	1 in.	7/16-20	1/4-Str.	3-5/32	R	X	X	X	X	X			3600	5,14

†All power levels are stated gross horsepower at 3600 RPM per SAE J1940 as rated by Briggs & Stratton.

(5) Engine equipped with 12 volt Gear Drive Starter and 9 Amp DC Alternator

(14) Suppress Afterfire Solenoid

Engines in bold type have promotional pricing