

# 625ex Series

## 150 CC

Bore 2.58 in. (65.53 mm)

Stroke 1.75 in. (44.45 mm)

Oil Capacity 16 fl. oz. (0.47 L)

## FEATURES

ReadyStart® starting system with no prime, no choke, no worries, just pull for power

Dual-sealing air cleaner for improved debris resistance and longer life

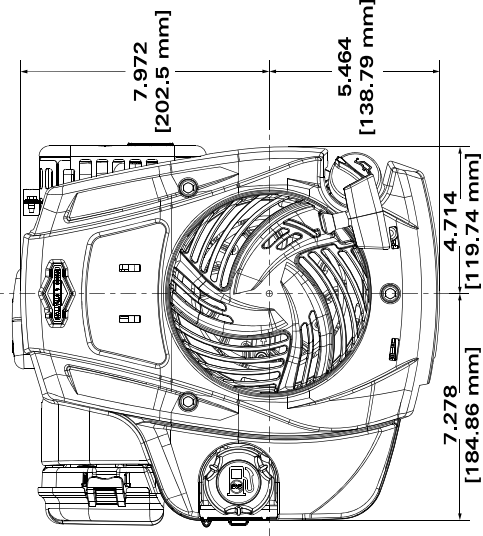
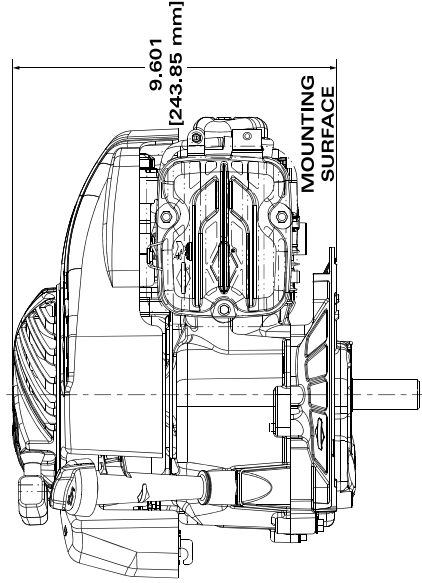
Lightest engine in its class by 30% for easier maneuverability

Acoustically-engineered muffler for quiet operation and excellent tonal quality

Less vibration for more user comfort and enhanced engine life

Mechanical Governor

**Buyer protection package provides two-year limited consumer engine warranty**



\*All Power levels are stated gross torque at 2600 RPM per SAE J1940 as rated by Briggs & Stratton

MTT	Crankshaft #	P.T.O. Diameter	Drilled & Tapped	Keyway	Length	Starter Position	Heavy Flywheel	Controls	5 Position Choke	Primer	ReadyStart®	Fuel Tank (Qt.)	Governed Speed	Alternator	CPSC Brake	Notes
93J02																
0032-F1	590538	7/8 in.	3/8-24	3/16-Sq	3-5/32	5:30	No	R			Yes	0.8	3200		Yes	
0075-F1	590537	7/8 in.	3/8-24	3/16-Sq	2-7/16	5:30	No	FC			Yes	0.8	3100		Yes	
0076-F1	591152	7/8 in.	3/8-24	3/16-Sq	1-13/16	5:30	No	FC			Yes	0.8	3100		Yes	
0086-F1	590538	7/8 in.	3/8-24	3/16-Sq	3-5/32	5:30	No	FC			Yes	0.8	3100		Yes	
0121-F1	594507	25mm	7/16-20	3/16-Sq	3-5/32	5:30	No	FC			Yes	0.8	3000		Yes	5

(5) Mow & Stow