

# SECTION 1 SAFETY AND GENERAL INFORMATION

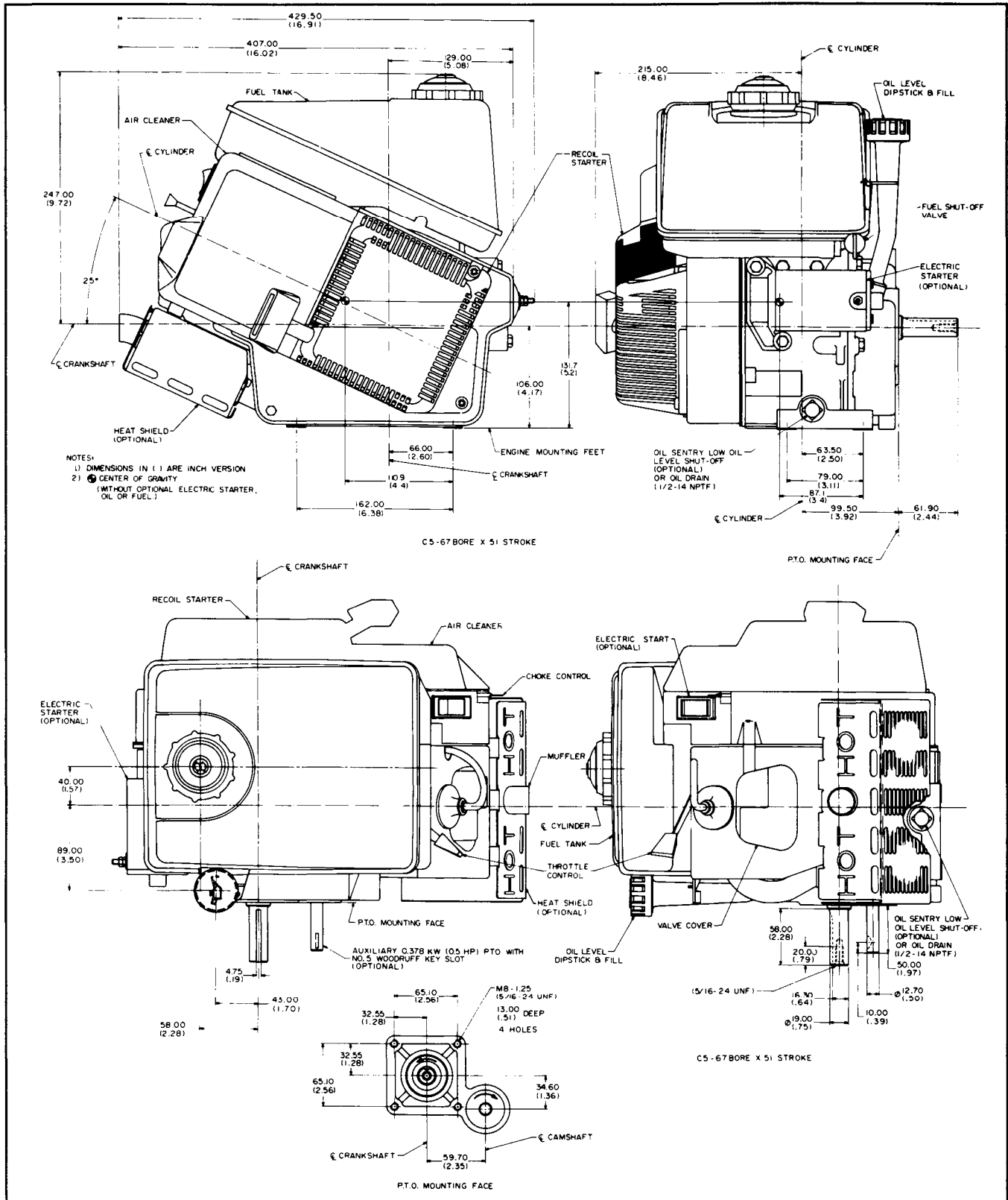


Figure 1-4. Typical CH5 Engine Dimensions.

# SECTION 1 SAFETY AND GENERAL INFORMATION

1

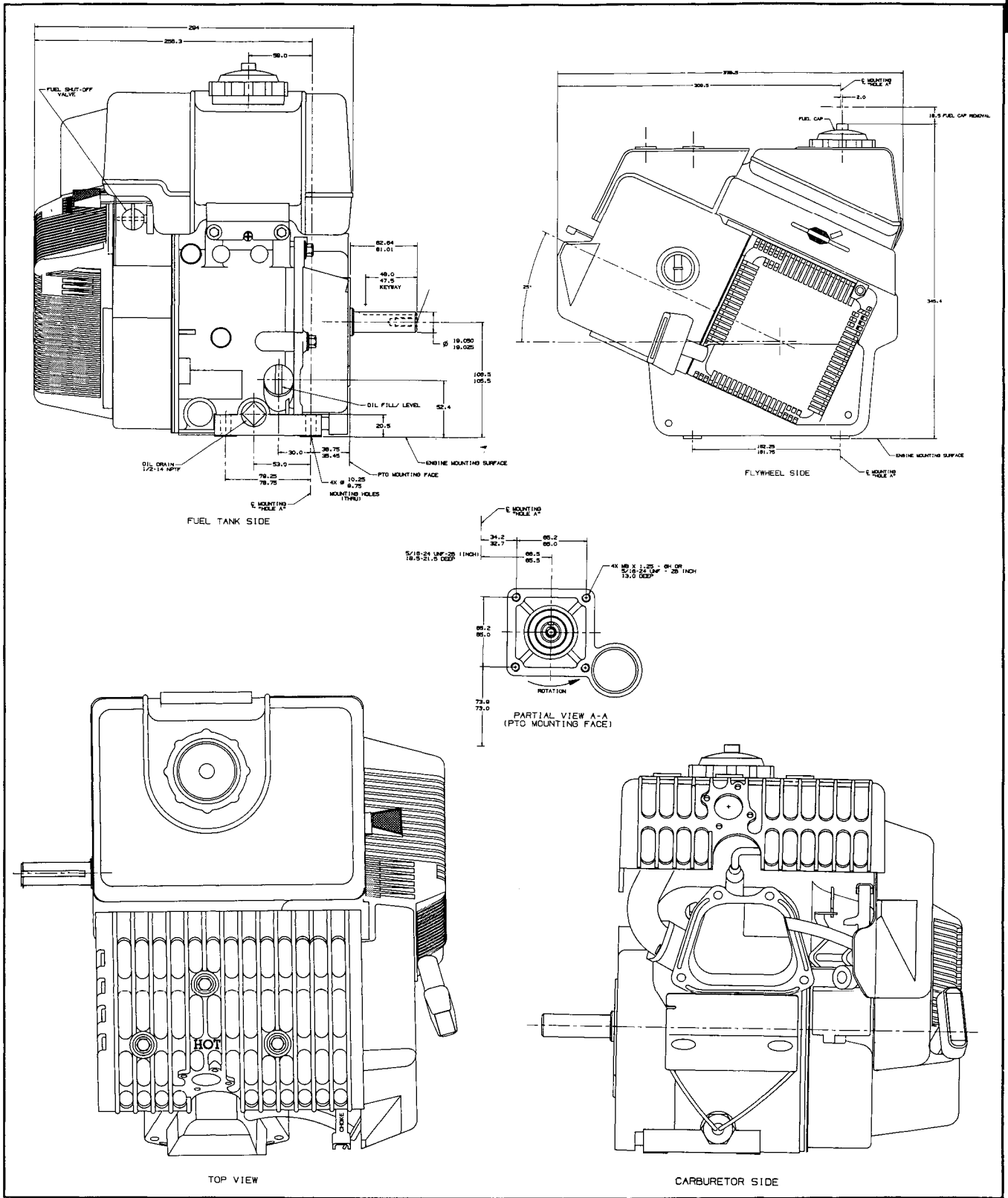


Figure 1-5. Typical CH6 Engine Dimensions.