

Section 1

Safety and General Information

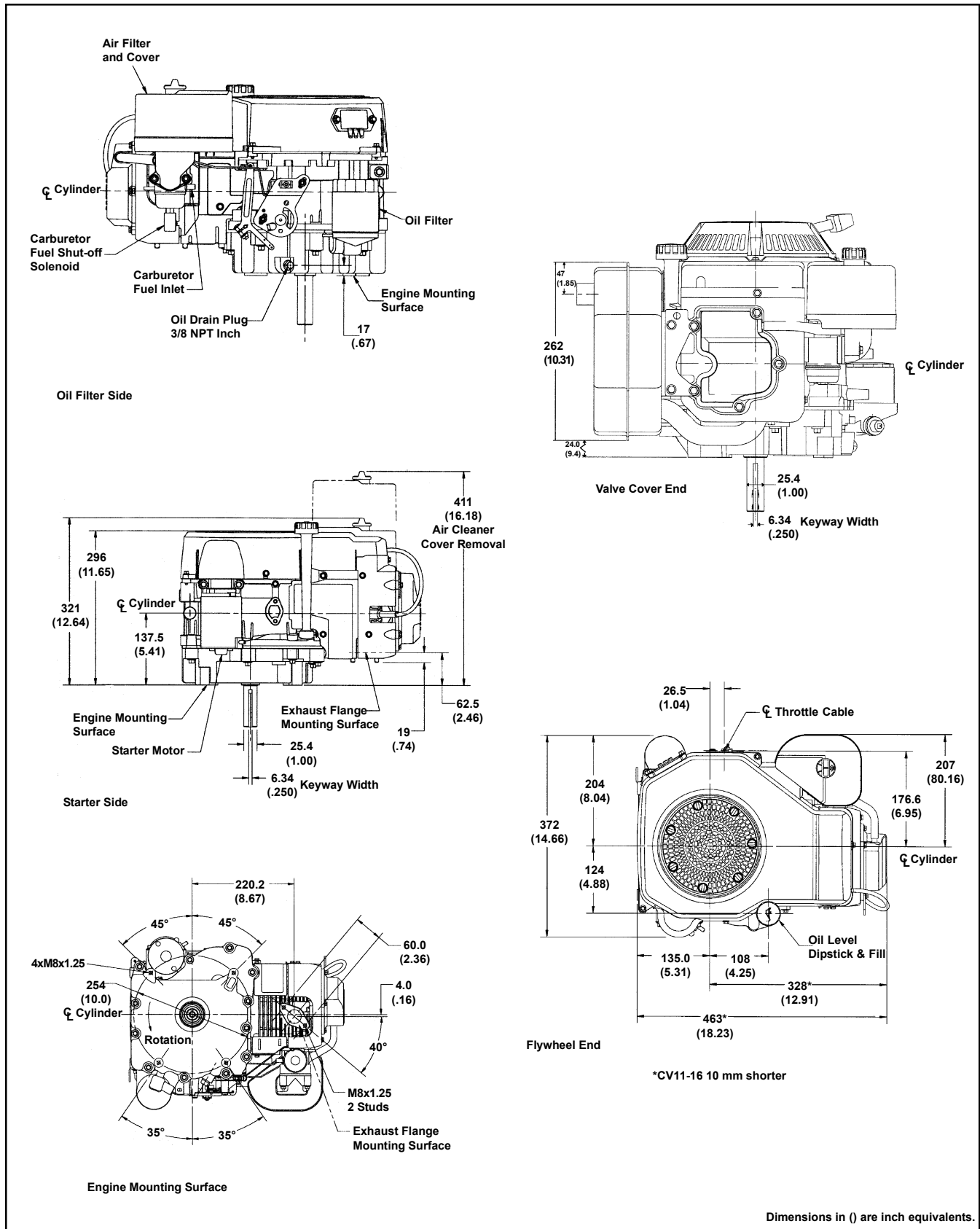


Figure 1-4. Typical Engine Dimensions.