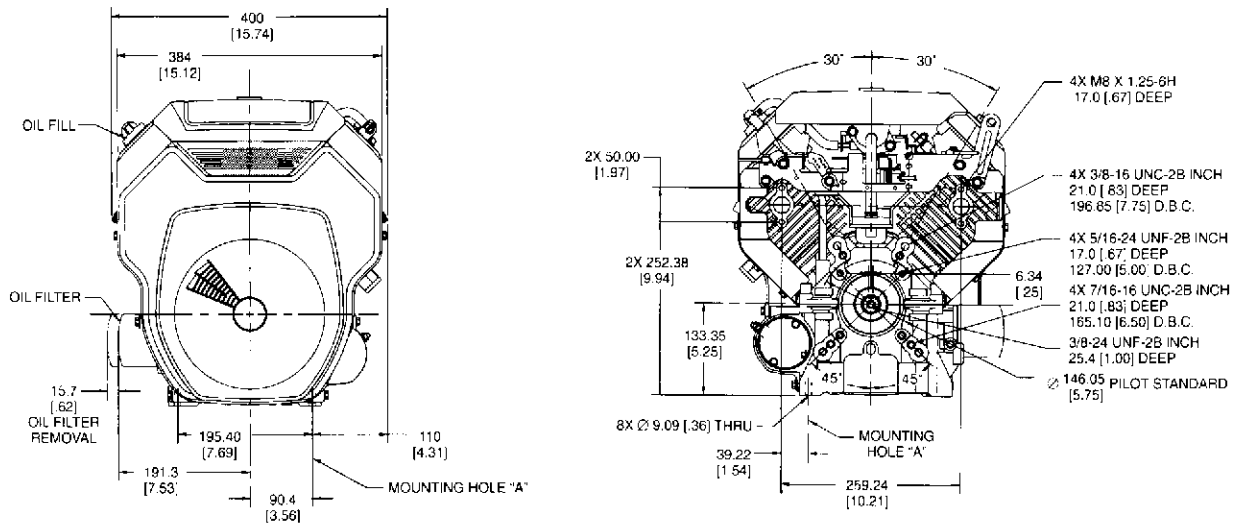


# Section 1

## Safety and General Information



DIMENSIONS IN MILLIMETERS  
INCH EQUIVALENTS SHOWN IN [ ]

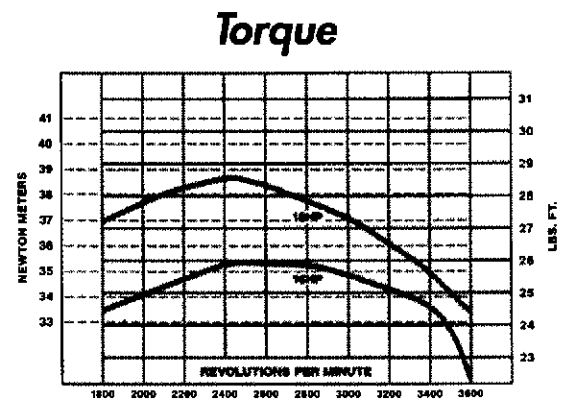
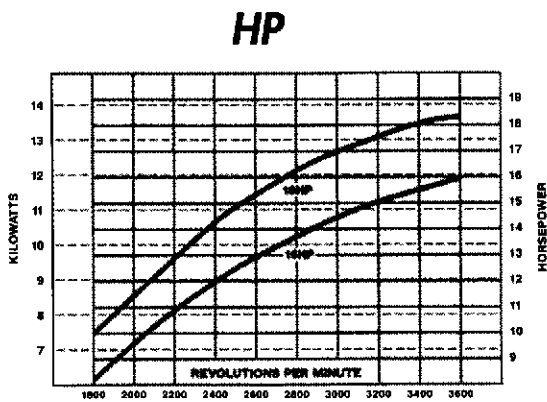
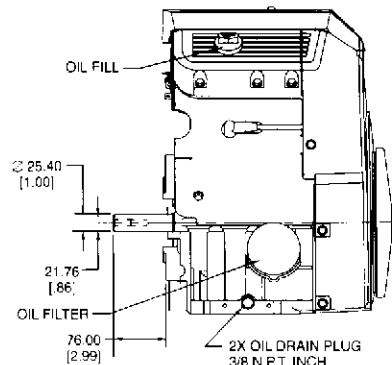
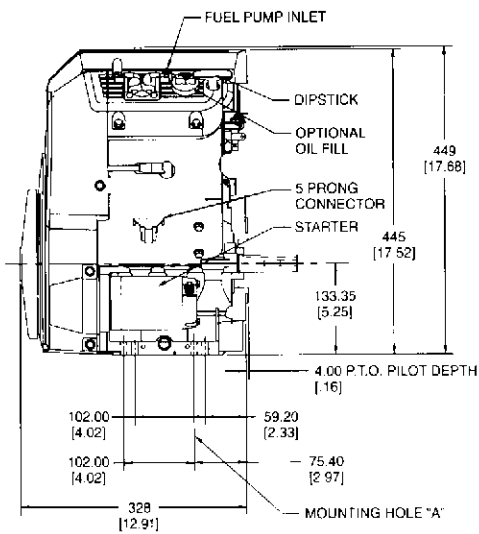


Figure 1-4. Typical Engine Dimensions, Torque, and Horsepower Curves OHC 16-18 HP.