

# Kohler EFI Engine Repower Kit

Kit No. 126-7081

## Installation Instructions

### ⚠ WARNING

#### CALIFORNIA Proposition 65 Warning

This product contains a chemical or chemicals known to the State of California to cause cancer, birth defects, or reproductive harm.

## Loose Parts

Use the chart below to verify that all parts have been shipped.

Item	Part No.	Description	Qty
1	126-5708	Asm-Rear Baffle	1
2	104-2628	Screw-HWH M6-1 x 12mm TF	1
3	98-5975	Washer-Spring Disc 3/8	4
4	323-7	Screw-HH 3/8-16 x 1 1/4	4

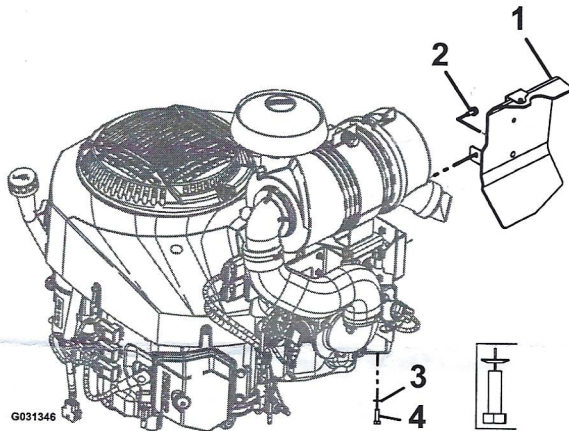


Figure 1

## Safety Alert Symbol

This Safety Alert Symbol (Figure 2) is used both in this instruction sheet and on the machine to identify important safety messages which must be followed to avoid accidents.

This symbol means: **ATTENTION! BECOME ALERT! YOUR SAFETY IS INVOLVED!**



Figure 2  
Safety Alert Symbol

The safety alert symbol appears above information which alerts you to unsafe actions or situations and will be followed by the word **DANGER**, **WARNING**, or **CAUTION**.

**DANGER:** Indicates an imminently hazardous situation which, if not avoided, **Will** result in death or serious injury.

**WARNING:** Indicates a potentially hazardous situation which, if not avoided, **Could** result in death or serious injury.

**CAUTION:** Indicates a potentially hazardous situation which, if not avoided, **May** result in minor or moderate injury.

This manual uses two other words to highlight information. **Important** calls attention to special mechanical information and **Note** emphasizes general information worthy of special attention.



## **⚠ WARNING**

While maintenance or adjustments are being made, someone could start the engine. Accidental starting of the engine could seriously injure you or other bystanders.

Remove the key from the ignition switch, engage parking brake, and pull the wire(s) off the spark plug(s) before you do any maintenance. Also push the wire(s) aside so it does not accidentally contact the spark plug(s).

**Note:** Determine the left and right sides of the machine from the normal operating position.

**Note:** Park the unit on a level surface. Make sure all moving parts have stopped, parking brake is engaged, the key has been removed, and the spark plug wire has been disconnected. Allow unit to cool before starting these instructions.

## **Installation Instructions**

1. Install the rear baffle assembly (item 1) to the engine near the LH side of the fuel pump module as shown
2. Secure with the M6 screw (item 2) into the untapped boss in the engine, above the oil drain hose. Torque screw to 90-100 in-lb (10-11 N-m).

**Note:** The lower end of the rubber baffle should be placed to the left of the oil drain hose.

3. Secure engine with four screws (item 4) and four washers (item 3) positioned as shown. Torque screws to 27-42 ft-lb. (37-57 N-m).